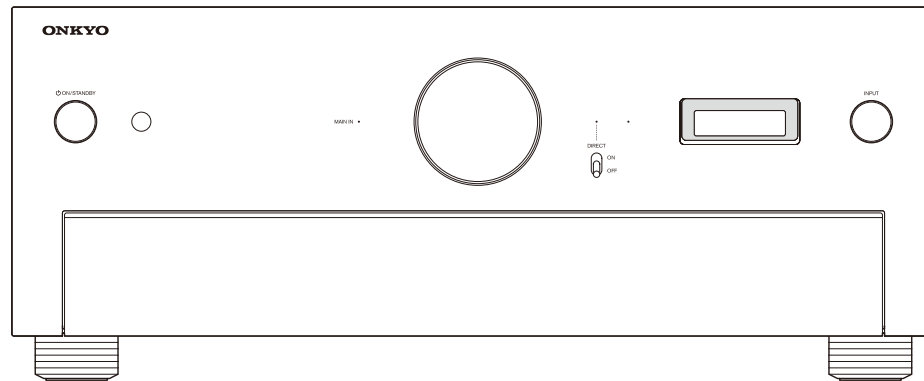


ONKYO SERVICE MANUAL

Ref. No. 4355
 102011 (MPP)
 112011 (MDC)
 122011 (MGR)
 112011 (MJJ)


Integrated Amplifier MODEL A-9070(B)/(S)



Black and Silver models

B MPP	230V AC, 50Hz, 290W
S MPP	230V AC, 50Hz, 290W
B MDC	120V AC, 60Hz, 3.3A
S MJJ	100V AC, 50/60Hz, 250W
S MGR	220-230V AC, 50/60Hz, 290W

SAFETY-RELATED COMPONENT WARNING!!

COMPONENTS IDENTIFIED BY MARK  ON THE SCHEMATIC DIAGRAM AND IN THE PARTS LIST ARE CRITICAL FOR RISK OF FIRE AND ELECTRIC SHOCK. REPLACE THESE COMPONENTS WITH ONKYO PARTS WHOSE PART NUMBERS APPEAR AS SHOWN IN THIS MANUAL.

MAKE LEAKAGE-CURRENT OR RESISTANCE MEASUREMENTS TO DETERMINE THAT EXPOSED PARTS ARE ACCEPTABLY INSULATED FROM THE SUPPLY CIRCUIT BEFORE RETURNING THE APPLIANCE TO THE CUSTOMER.

ONKYO SOUND & VISION CORPORATION
 Service Department

Service Procedures

1. Operation check

1) Speaker relays

The relay shall be ON about 5 seconds after POWER is ON and shall be OFF immediately after POWER is OFF.

2) Voltage-detection protectors

The speaker relay is OFF immediately after D.C. 3V is put at MAIN IN INPUT terminal to check SP:B(L/R).
The same as above when D.C. -3v is put at each place. TEST:4-02.

3) Current-detection protectors

- a) The relay shall be ON when 3 ohm load is connected to each channel under the conditions of peak-to-zero 35V output for L,R channels and no load by using the INTEGRA amplifier series designated circuit with 200Hz square wave. Use TEST:2-17 MAIN IN mode input MAIN IN.
- b) The relay shall be OFF when 1.5 ohm load is connected to each channel under the conditions of peak-to-zero 35V output for L,R channels and no load by using the the INTEGRA amplifier series designated circuit with 200Hz square wave.

If a relay goes out, Disconnect input signal immediately.
Don't continue to do this check 3 seconds or more.

White LED		
	Model	
	A-9000R	A-9070
Normal	×	×
Dimmer	×	×
FL OFF	○	×

4) FL tube test (All lighting check)

Please confirm the all FL display lights by TEST MODE 'TEST-1-00'.

5) Buttons

Please confirm by TEST MODE 'TEST-1-01'.

6) DIMMER

Please push DIMMER button of Remote controller and confirm the brightness of FL display changes and the white LED lights(A-9000R only).

7) Firmware version.

Set the test mode "0-01". Please check the Firmware version.

8) Adjustment and Confirmation of Destination

a) Please confirm the R1293 on the BADG-0998.

When destination is MJJ or MDC or MGR, It is nothing on the PWB.
When destination is MPP, It exist on the PWB.

	Destination	
	MPP	etc
R1293	○	×

b) Set the test mode "0-02".

Please check Model Number.

c) Set the test mode "0-03".

Please check Destination.

Please check the display of FL refer to right table.

	Destination	
	MPP	etc
Display	MPP	NMPP

9) Auto Standby (ASb) detection circuit

a) Set the test mode "4-00".

b) Confirm that the character of "ASb" is not displayed in FL display under the condition of no signal.

c) Confirm that the character of "ASb" is displayed in FL display, when "-20dBV,-14dBV, 1kHz" signal is input to Line1 Terminal.

2. To initialize the unit.

Press ON/STANDBY button in the TEST MODE, then the FL displays "CLEAR", and turn to STAND-BY mode.
Remove AC cord from INLET.

3. Initial setting

- Mechanical Power Switch - ON
- Phono MM/MC Switch - MC
- Direct SW - OFF

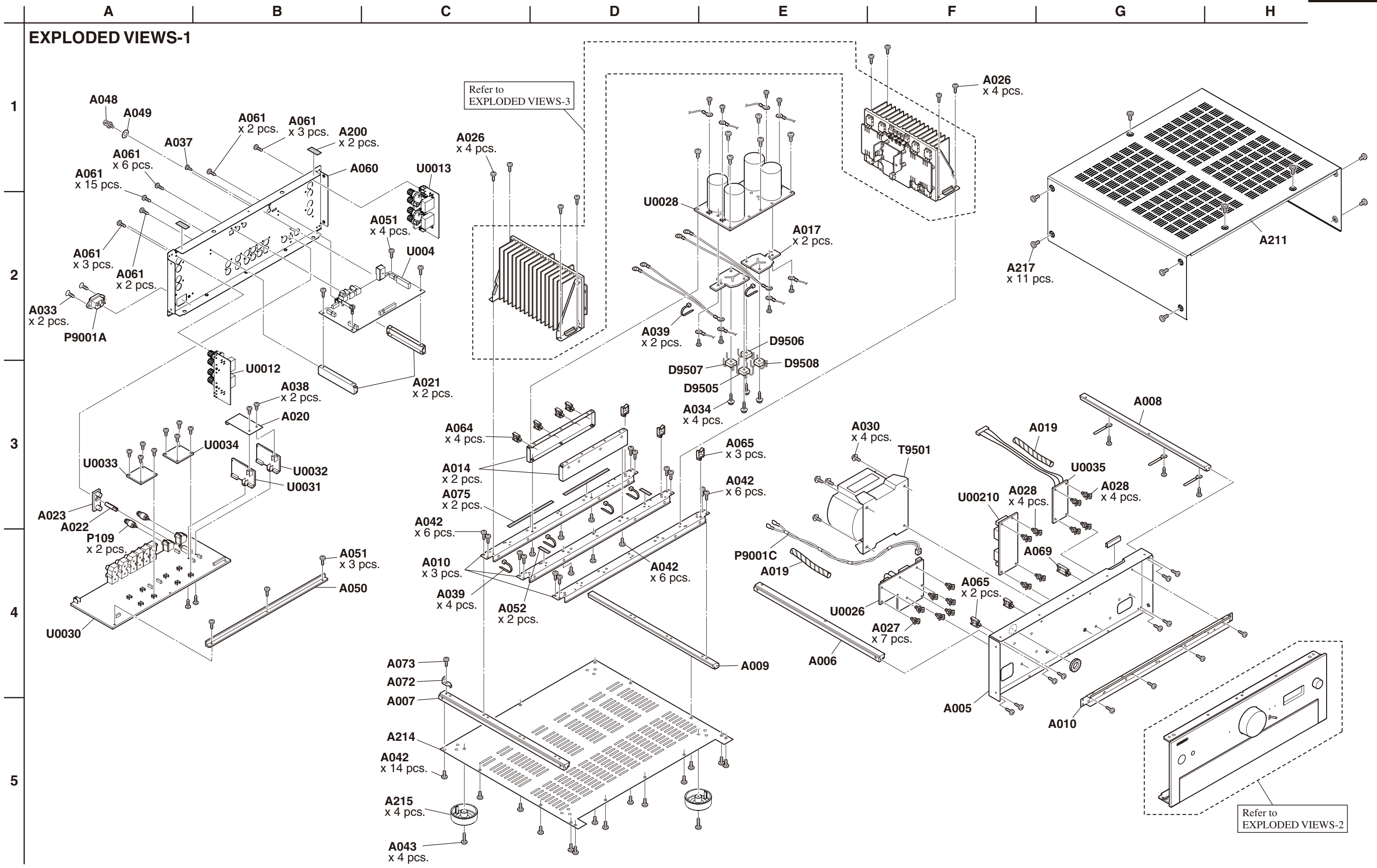
TEST MODE

- 1) Set volume 0dB and push ON/STANDBY button while pushing down SET UP button to display "TEST-__".
- 2) Next, if the following keys are pushed, it becomes a each TEST MODE.

TEST MODE				
0-00	1-00	2-00	3-00	4-00
NO PUSHED	TREBLE -	TREBLE +	BALANCE L	BALANCE R

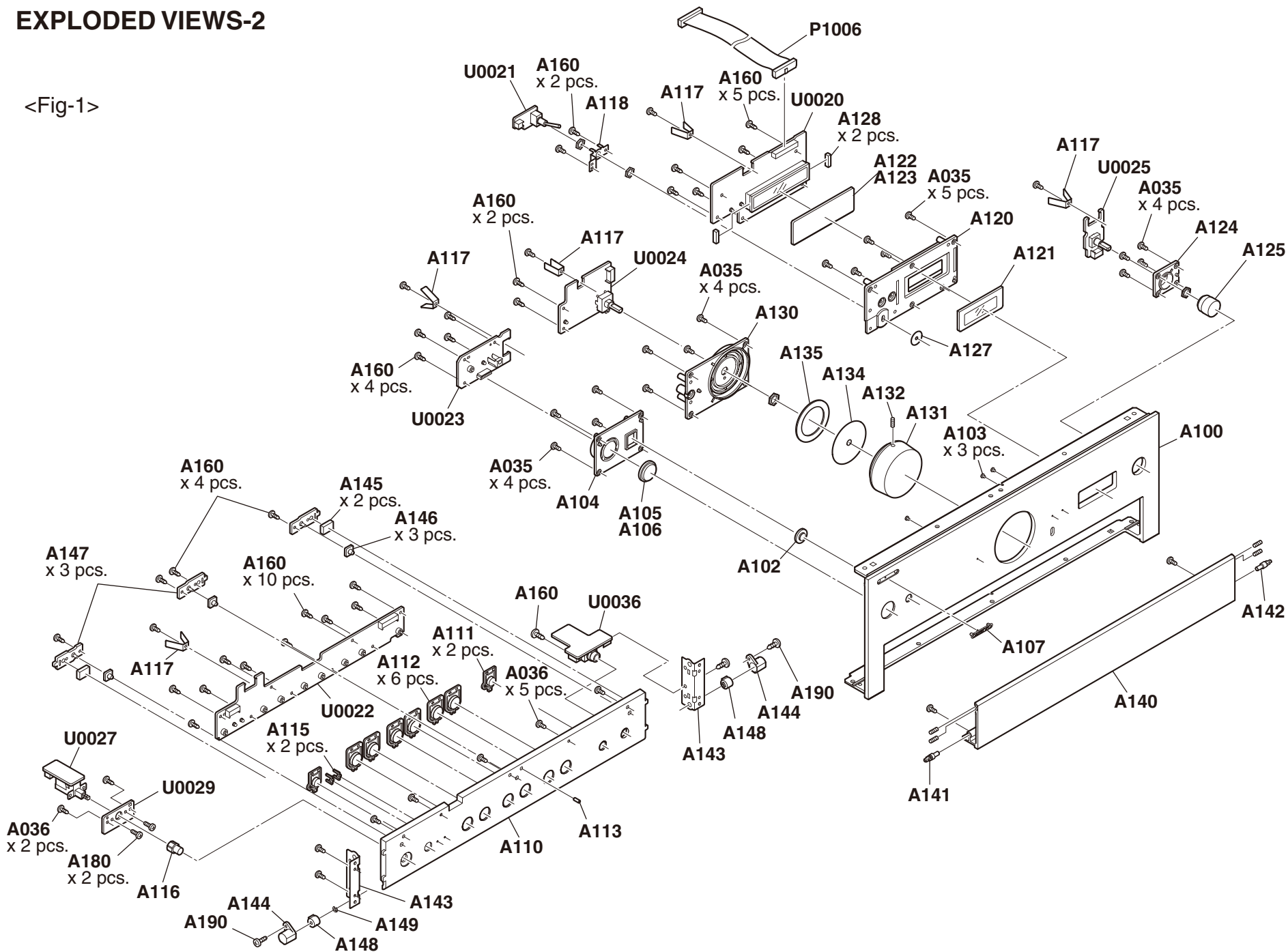
- 3) In the test mode, The TEST MODE number goes up if the selector knob is turned to the right.
The TEST MODE number goes down if the selector knob is turned to the left.

EXPLODED VIEWS-1

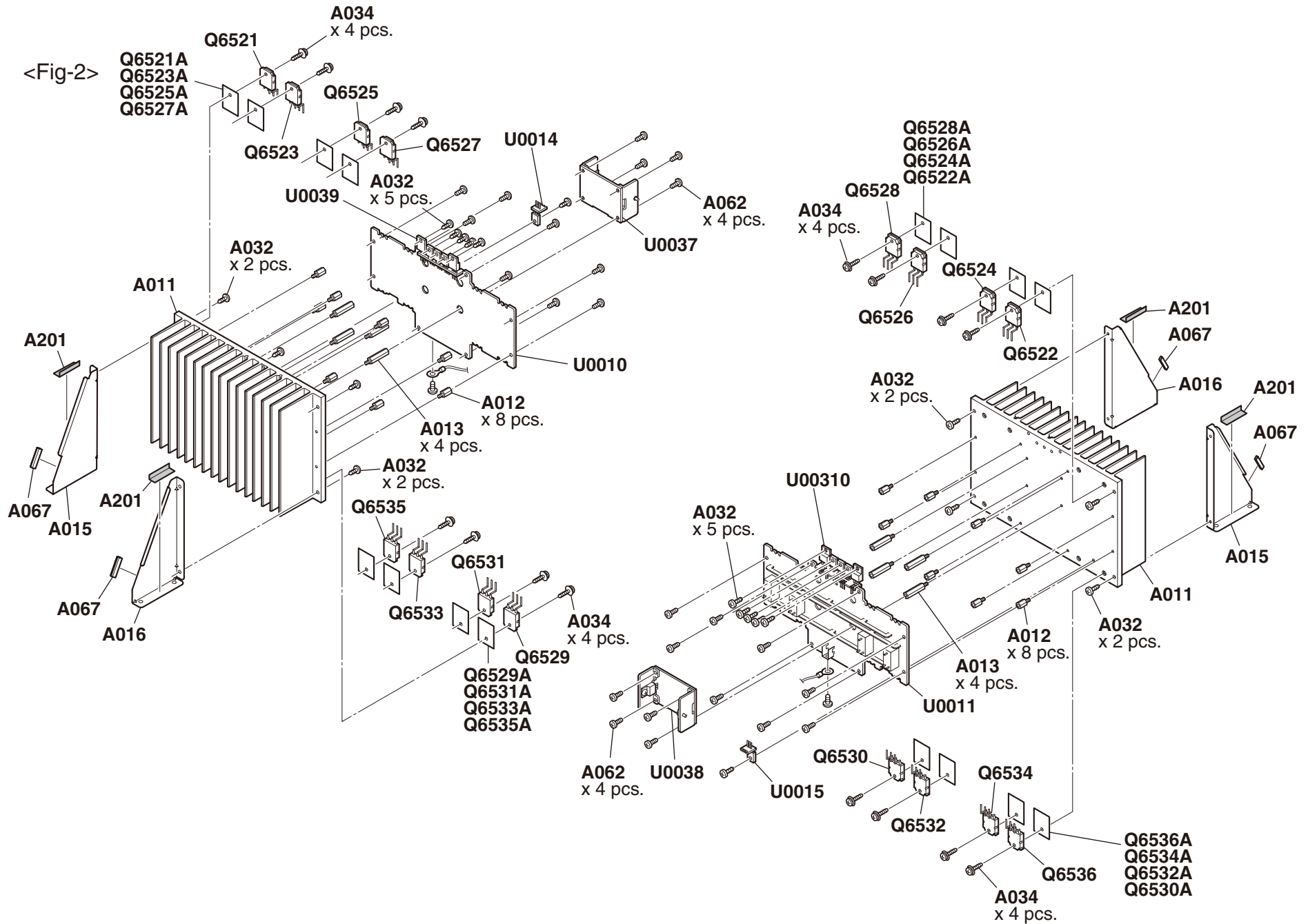


EXPLODED VIEWS-2

<Fig-1>



EXPLODED VIEWS-3

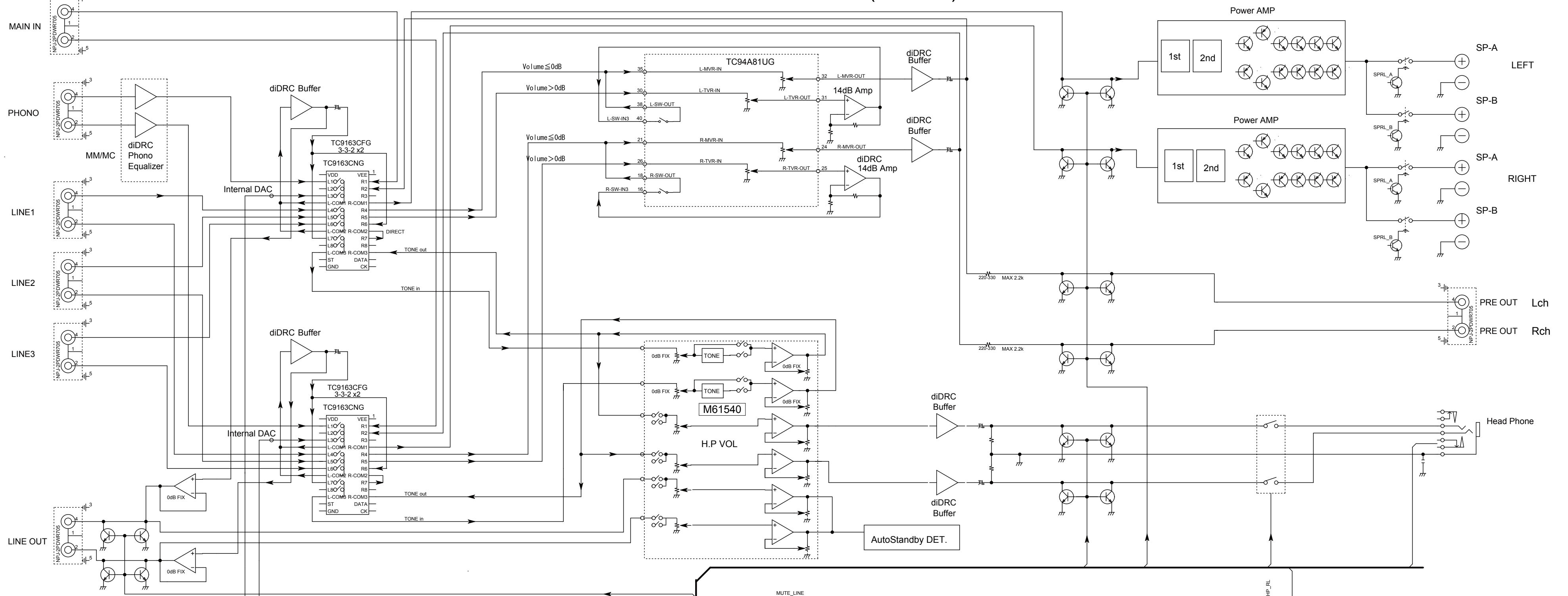


Schematic Diagrams - 1

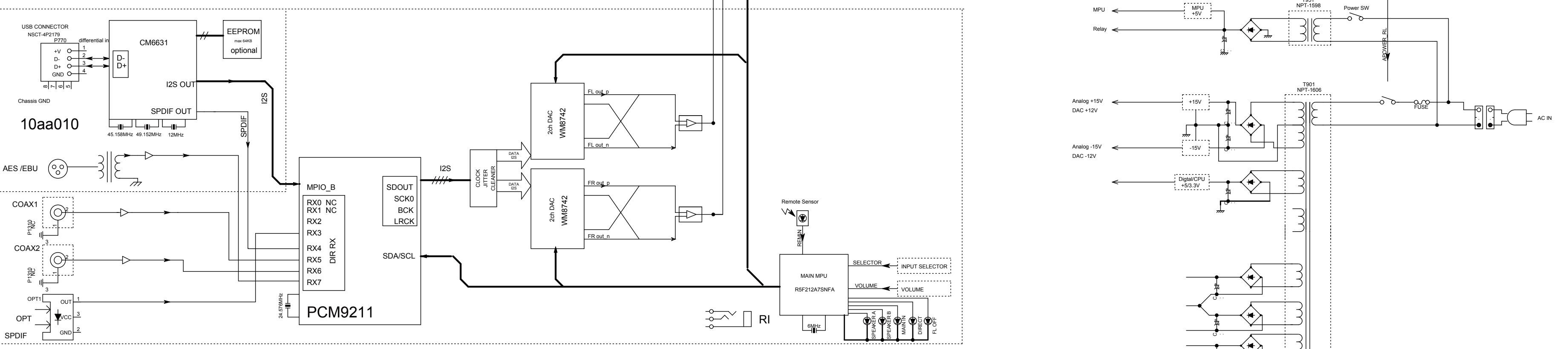
Block Diagram

Model No. A-9000R/A-9070 SCHEMATIC DIAGRAM (PART-1) BLOCK DIAGRAM

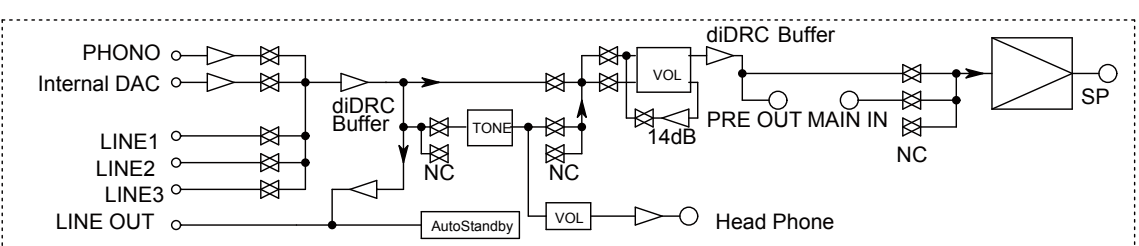
1



5



6



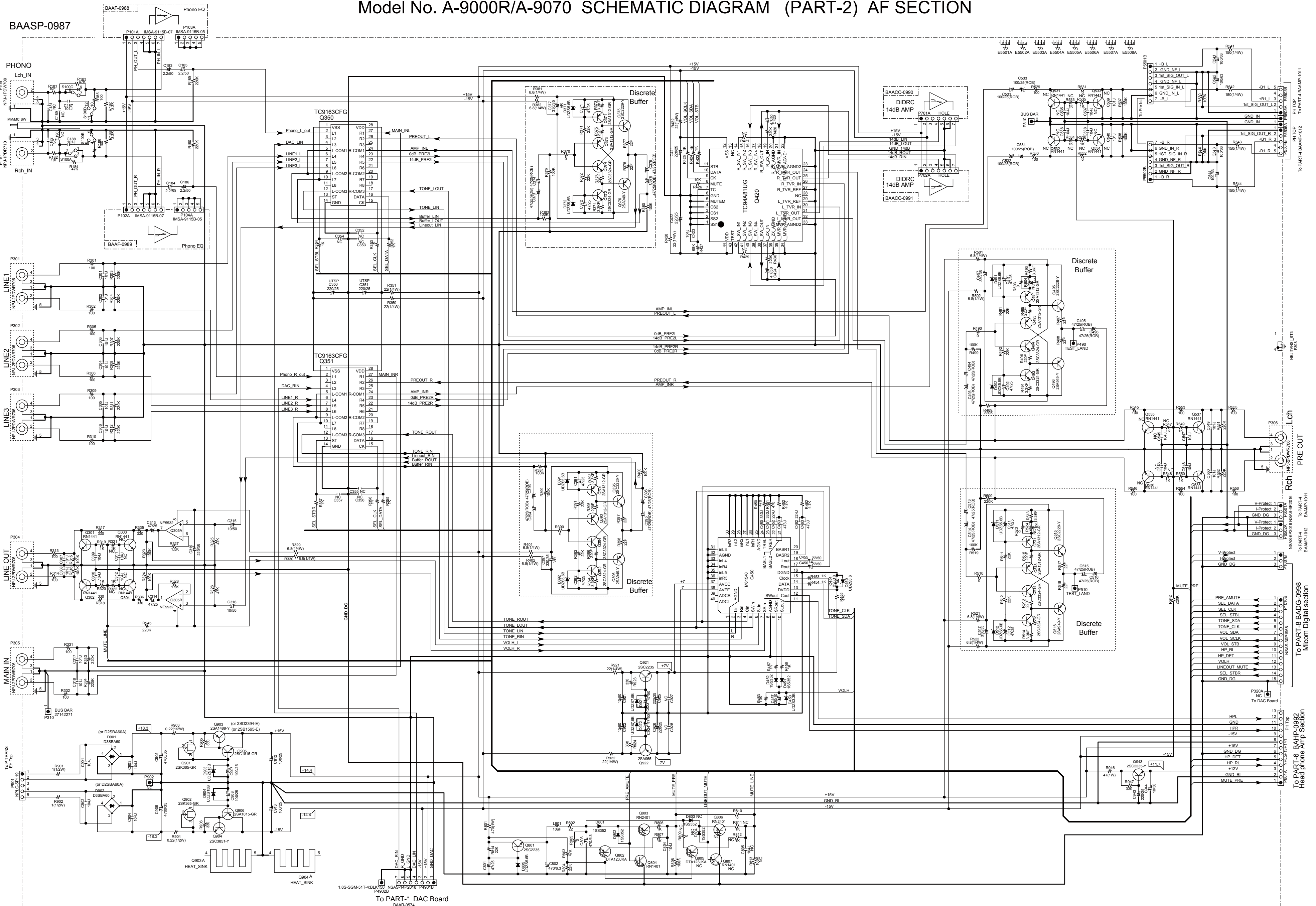
8

Schematic Diagrams - 2

Line IN / OUT, Phono IN, MAIN IN

Model No. A-900R/A-9070 SCHEMATIC DIAGRAM (PART-2) AF SECTION

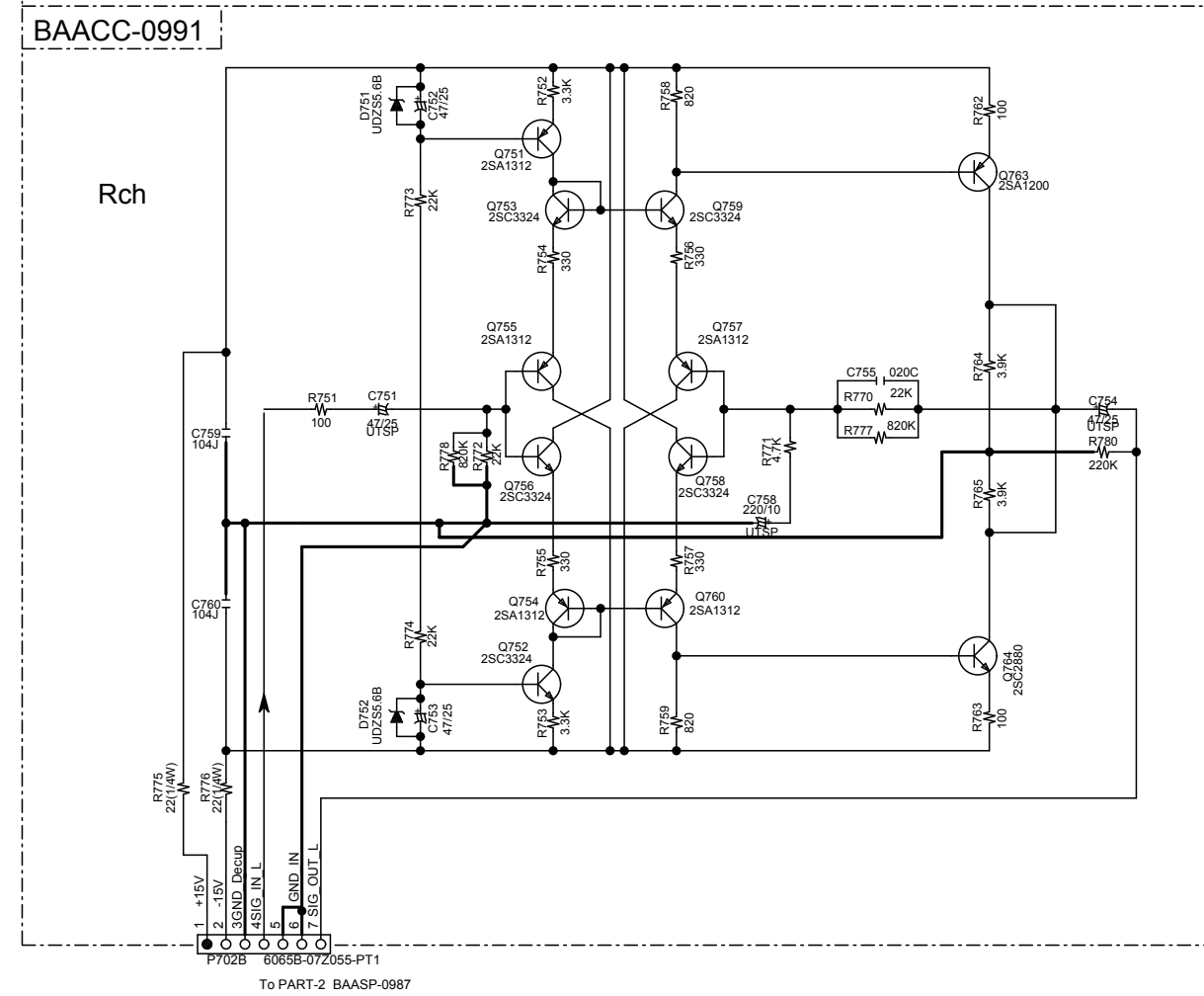
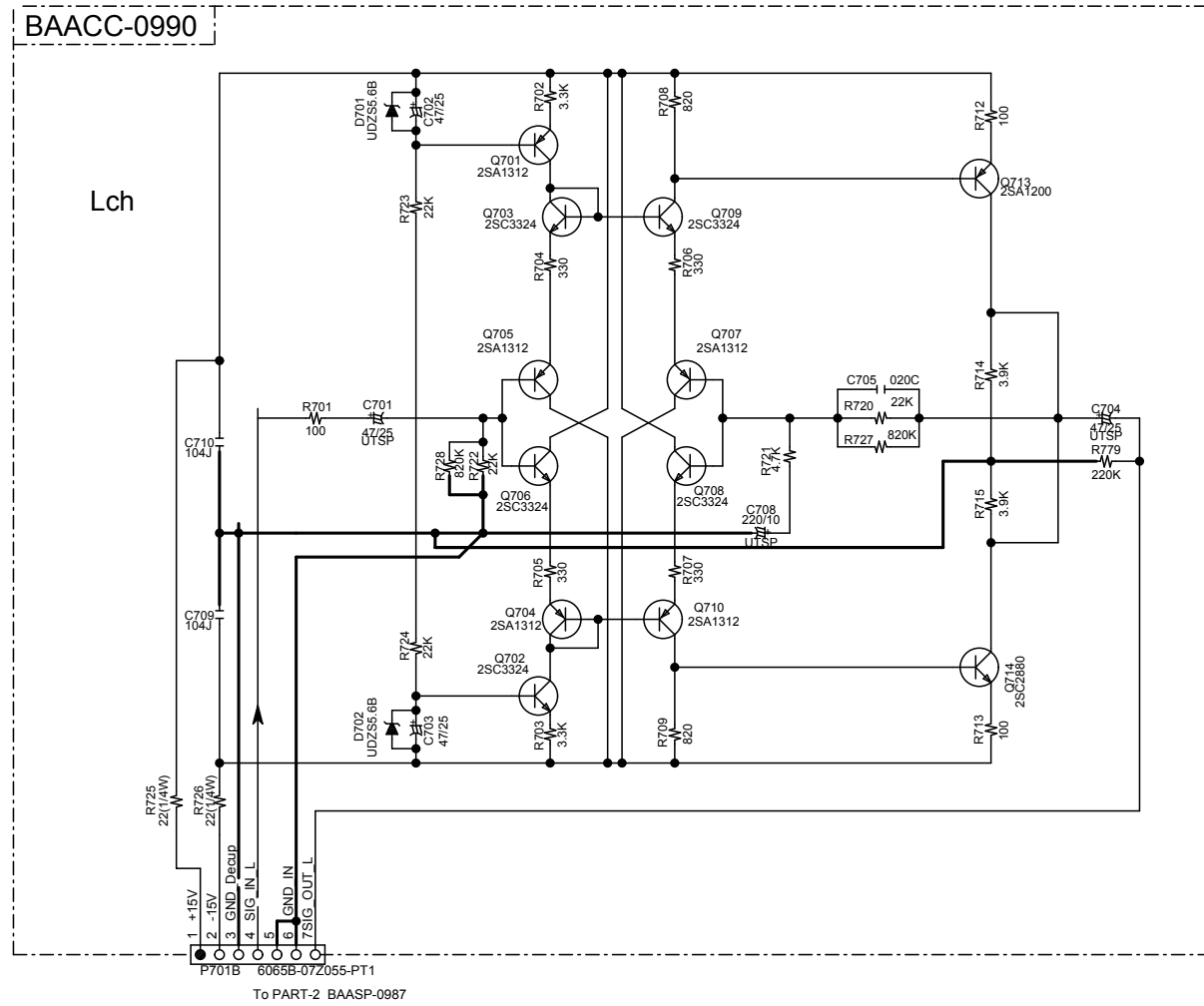
1
2
3
4
5
6
7
8



PH TOP TO PART-4 8AAMP-1011
PH TOP TO PART-4 8AAMP-1012
PH TOP TO PART-4 8AAMP-1013
PH TOP TO PART-4 8AAMP-1014
PH TOP TO PART-4 8AAMP-1015
PH TOP TO PART-4 8AAMP-1016
PH TOP TO PART-4 8AAMP-1017
PH TOP TO PART-4 8AAMP-1018
PH TOP TO PART-4 8AAMP-1019
PH TOP TO PART-4 8AAMP-1020
PH TOP TO PART-4 8AAMP-1021
PH TOP TO PART-4 8AAMP-1022
PH TOP TO PART-4 8AAMP-1023
PH TOP TO PART-4 8AAMP-1024
PH TOP TO PART-4 8AAMP-1025
PH TOP TO PART-4 8AAMP-1026
PH TOP TO PART-4 8AAMP-1027
PH TOP TO PART-4 8AAMP-1028
PH TOP TO PART-4 8AAMP-1029
PH TOP TO PART-4 8AAMP-1030
PH TOP TO PART-4 8AAMP-1031
PH TOP TO PART-4 8AAMP-1032
PH TOP TO PART-4 8AAMP-1033
PH TOP TO PART-4 8AAMP-1034
PH TOP TO PART-4 8AAMP-1035
PH TOP TO PART-4 8AAMP-1036
PH TOP TO PART-4 8AAMP-1037
PH TOP TO PART-4 8AAMP-1038
PH TOP TO PART-4 8AAMP-1039
PH TOP TO PART-4 8AAMP-1040
PH TOP TO PART-4 8AAMP-1041
PH TOP TO PART-4 8AAMP-1042
PH TOP TO PART-4 8AAMP-1043
PH TOP TO PART-4 8AAMP-1044
PH TOP TO PART-4 8AAMP-1045
PH TOP TO PART-4 8AAMP-1046
PH TOP TO PART-4 8AAMP-1047
PH TOP TO PART-4 8AAMP-1048
PH TOP TO PART-4 8AAMP-1049
PH TOP TO PART-4 8AAMP-1050
PH TOP TO PART-4 8AAMP-1051
PH TOP TO PART-4 8AAMP-1052
PH TOP TO PART-4 8AAMP-1053
PH TOP TO PART-4 8AAMP-1054
PH TOP TO PART-4 8AAMP-1055
PH TOP TO PART-4 8AAMP-1056
PH TOP TO PART-4 8AAMP-1057
PH TOP TO PART-4 8AAMP-1058
PH TOP TO PART-4 8AAMP-1059
PH TOP TO PART-4 8AAMP-1060
PH TOP TO PART-4 8AAMP-1061
PH TOP TO PART-4 8AAMP-1062
PH TOP TO PART-4 8AAMP-1063
PH TOP TO PART-4 8AAMP-1064
PH TOP TO PART-4 8AAMP-1065
PH TOP TO PART-4 8AAMP-1066
PH TOP TO PART-4 8AAMP-1067
PH TOP TO PART-4 8AAMP-1068
PH TOP TO PART-4 8AAMP-1069
PH TOP TO PART-4 8AAMP-1070
PH TOP TO PART-4 8AAMP-1071
PH TOP TO PART-4 8AAMP-1072
PH TOP TO PART-4 8AAMP-1073
PH TOP TO PART-4 8AAMP-1074
PH TOP TO PART-4 8AAMP-1075
PH TOP TO PART-4 8AAMP-1076
PH TOP TO PART-4 8AAMP-1077
PH TOP TO PART-4 8AAMP-1078
PH TOP TO PART-4 8AAMP-1079
PH TOP TO PART-4 8AAMP-1080
PH TOP TO PART-4 8AAMP-1081
PH TOP TO PART-4 8AAMP-1082
PH TOP TO PART-4 8AAMP-1083
PH TOP TO PART-4 8AAMP-1084
PH TOP TO PART-4 8AAMP-1085
PH TOP TO PART-4 8AAMP-1086
PH TOP TO PART-4 8AAMP-1087
PH TOP TO PART-4 8AAMP-1088
PH TOP TO PART-4 8AAMP-1089
PH TOP TO PART-4 8AAMP-1090
PH TOP TO PART-4 8AAMP-1091
PH TOP TO PART-4 8AAMP-1092
PH TOP TO PART-4 8AAMP-1093
PH TOP TO PART-4 8AAMP-1094
PH TOP TO PART-4 8AAMP-1095
PH TOP TO PART-4 8AAMP-1096
PH TOP TO PART-4 8AAMP-1097
PH TOP TO PART-4 8AAMP-1098
PH TOP TO PART-4 8AAMP-1099
PH TOP TO PART-4 8AAMP-1100

Schematic Diagrams - 3
14dB AMP.

Model No. A-9000R/A-9070 SCHEMATIC DIAGRAM (PART-3) 14dB AMP



Schematic Diagrams - 4 Power AMP.

Adjustment of dc offset

- a) Set up horizontally.
- b) Trim resistance of R5521,5522,5621,5622 are adjusted center position before POWER ON.
- c) Set the voltages at SP OUT Lch±/SP OUT Rch± to 0±50mV by adjusting R5521/R5522, under the condition of no input(VOL:0) and no load, immediately after POWER ON.
- d) Set the voltages at SP OUT Lch±/SP OUT Rch± to 0±10mV by adjusting R5621/R5622 just minutes after c.
- e) Re-set the voltages at SP OUT Lch±/SP OUT Rch± to ±10mV by adjusting R5621/R5622 after 10 minutes of heat running.TEST:4-01

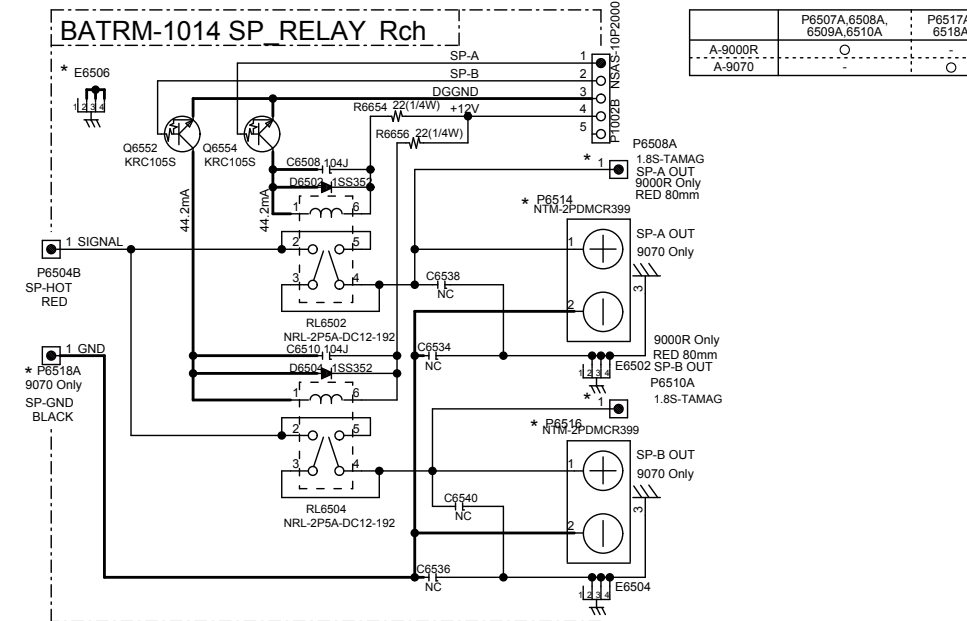
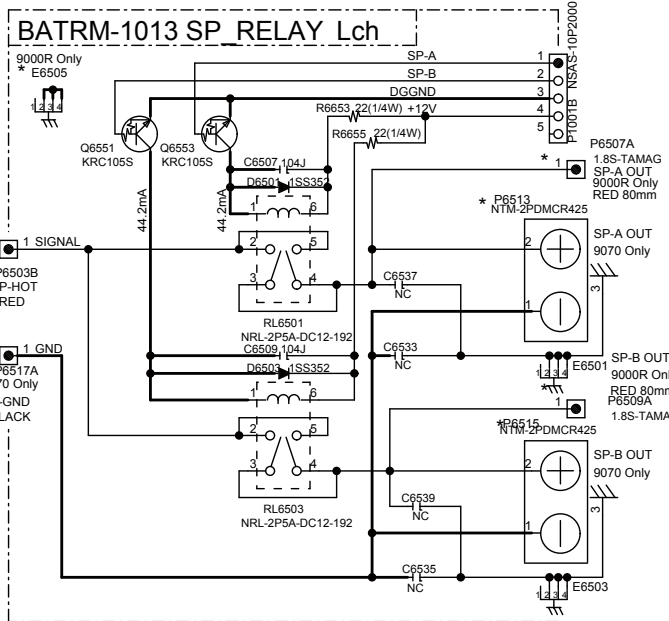
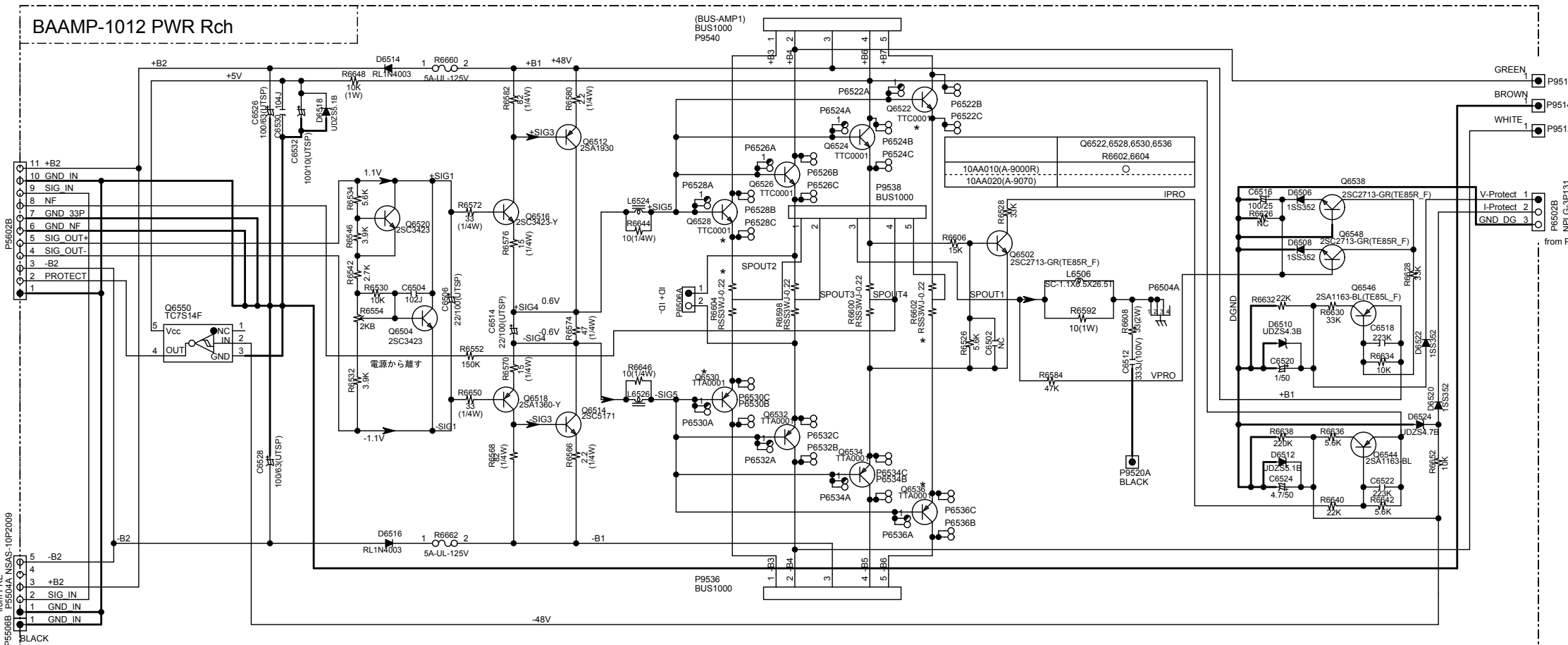
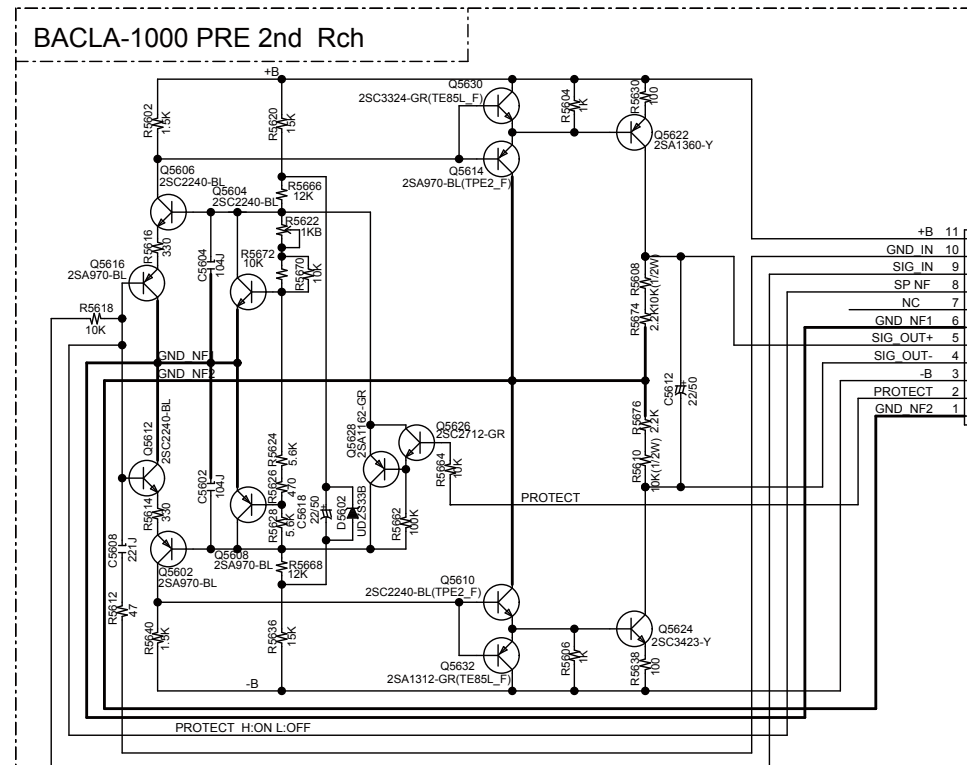
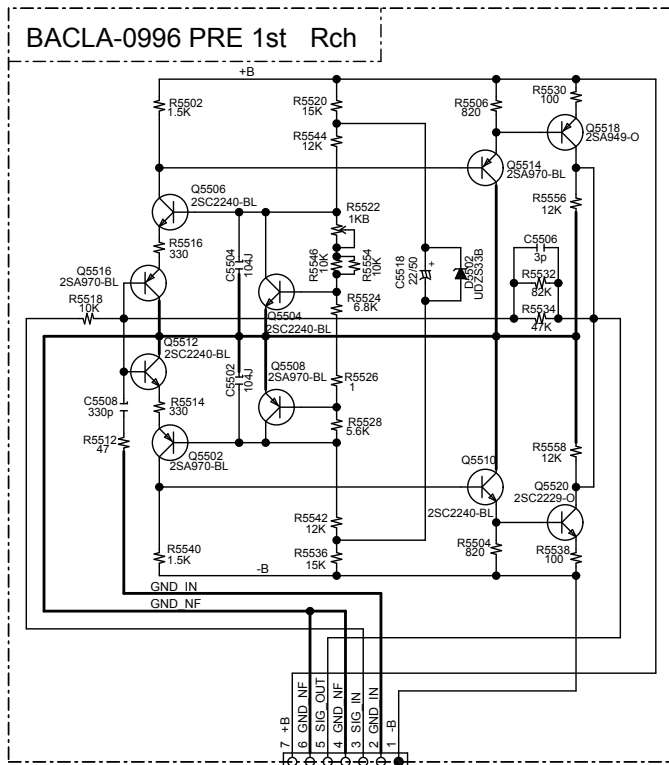
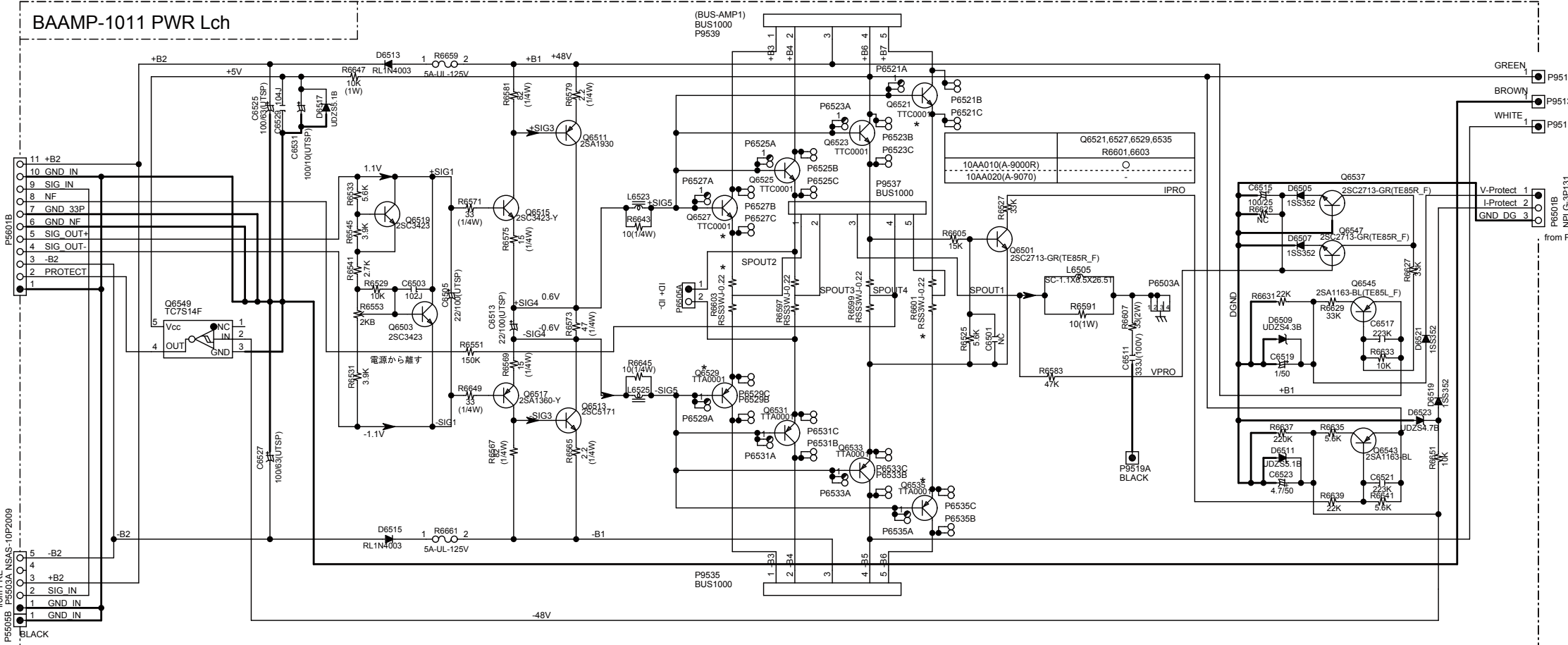
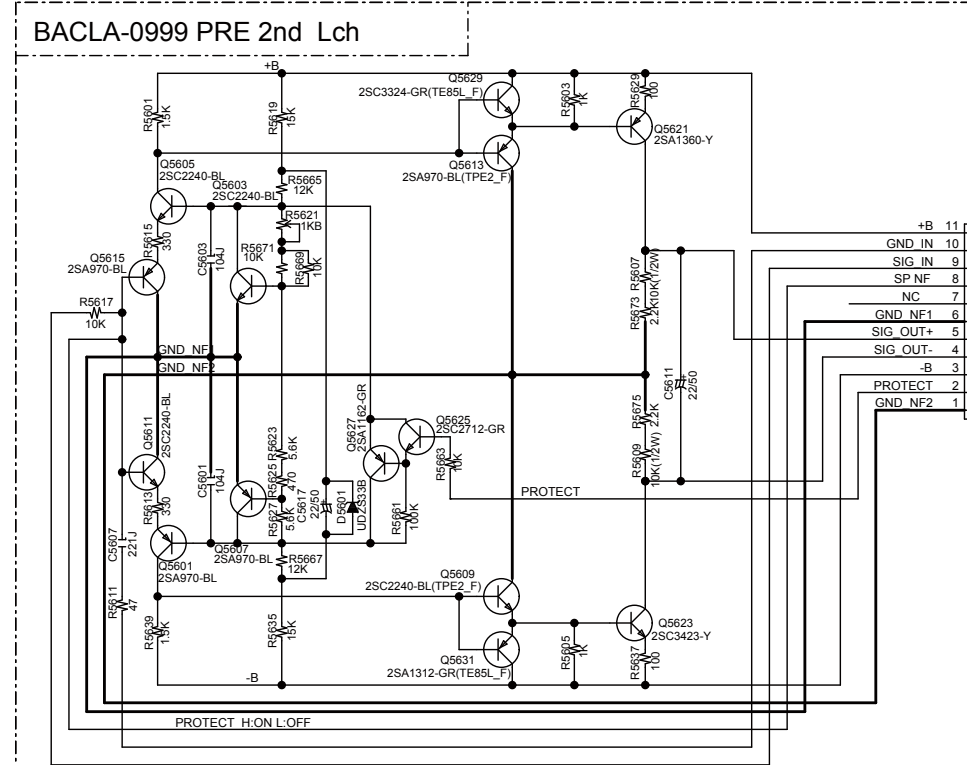
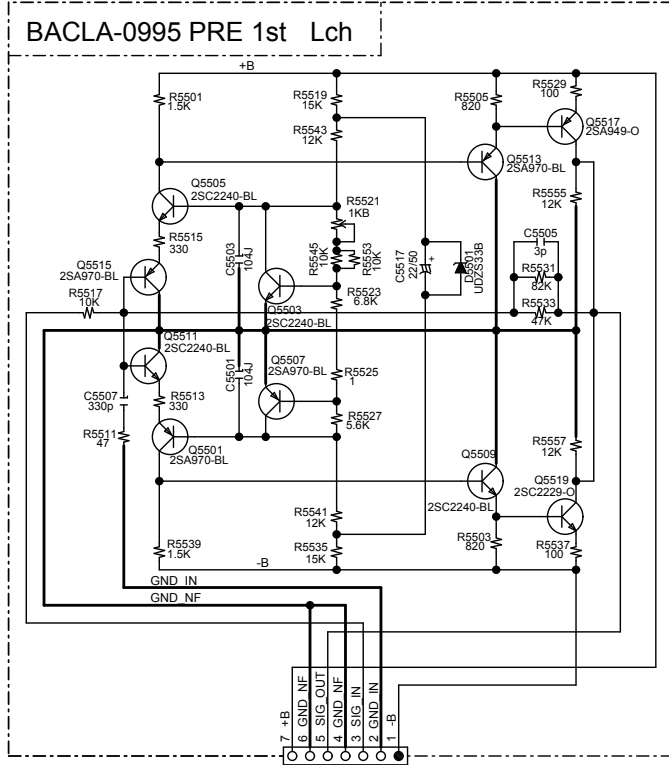
TEST MODE FOR OPERATION

Set volume 0dB and push ON/STANDBY button while pushing down SET UP button to display "TEST-".
Next, if the following keys are pushed, it becomes a each TEST MODE.

TEST MODE				
0-00	1-00	2-00	3-00	4-00
NO PUSHED	TREBLE -	TREBLE +	BALANCE L	BALANCE R

In the test mode, The TEST MODE number goes up if the selector knob is turned to the right.
The TEST MODE number goes down if the selector knob is turned to the left.

Model No.A-9000R/A-9070 SCHEMATIC DIAGRAM (PART 4/10) POWER AMP SECTION



P6507A	6506A	P6517A	P6515
A-9000R	A-9070		

Adjustment of idling current

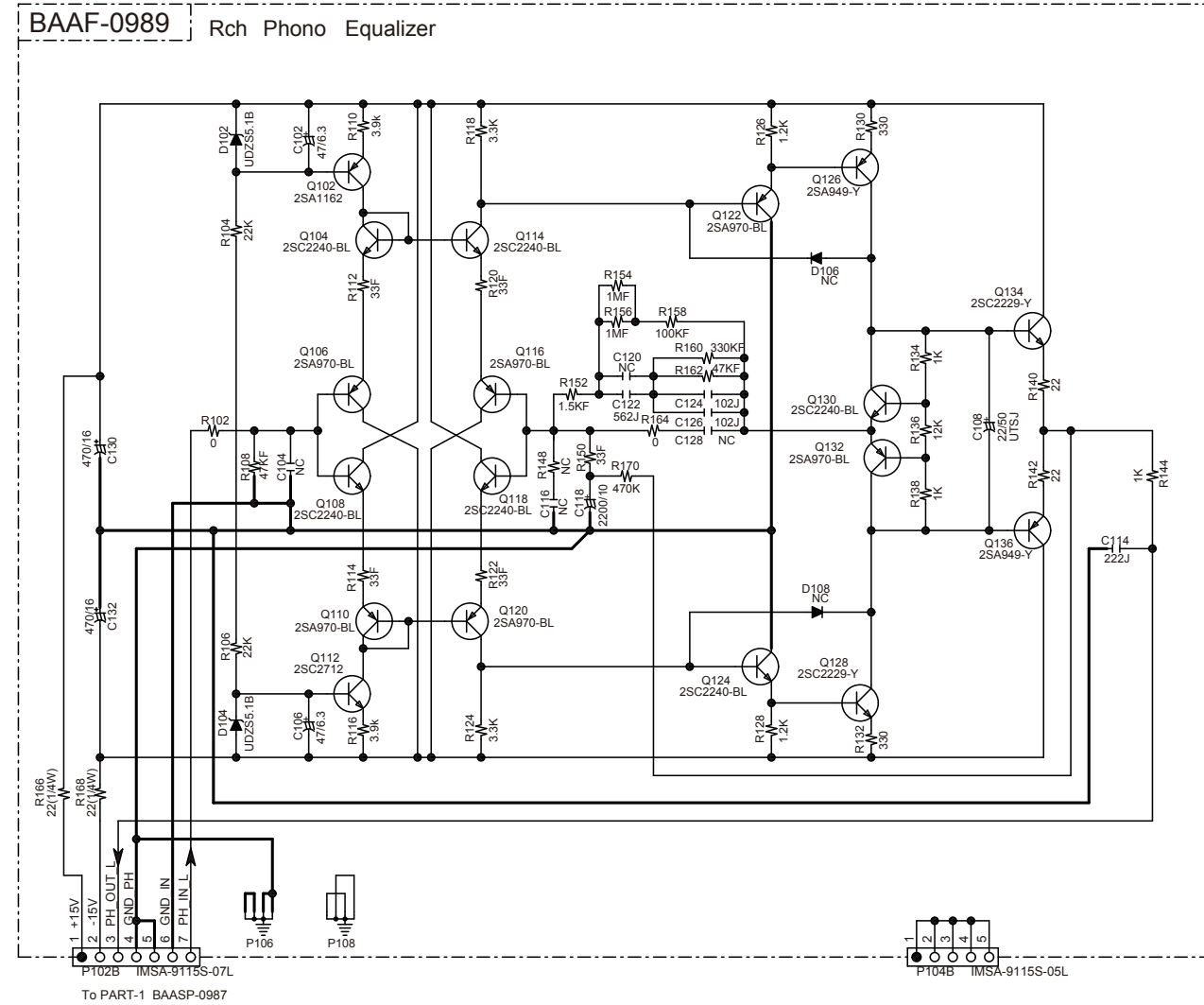
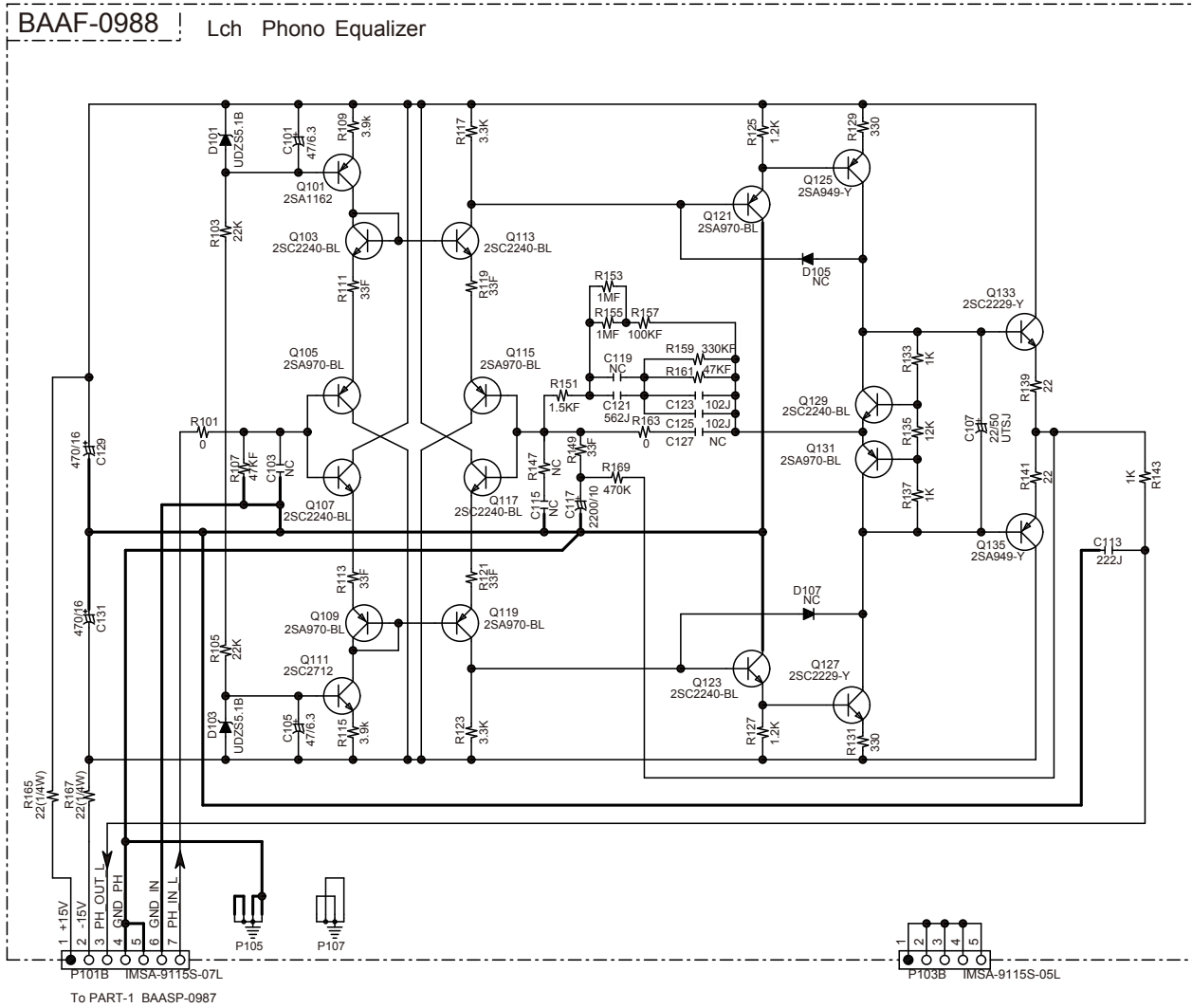
- a) Set R6553/R6554 to minimum position before POWER ON.
 - b) Set the voltages at P6505A and P6506A to 25.0mV±5mV by adjusting R6553/R6554, under the condition of no input and no load, immediately after POWER ON.
 - c) Re-adjust by following procedure after 10 minutes of heat running.
L/R
Below 25mV 25mV+2mV
Between 25-30mV Leave it as it is.
Over 30mV 30mV-2mV
- Equip series 1/4W 100-ohm resistors near the terminal respectively in the each poles of the jig used for P6505A,P6506A terminals.

Please adjust before Idling current adjusting.If you adjust DC offset, readjust Idling current too.

Schematic Diagrams - 5

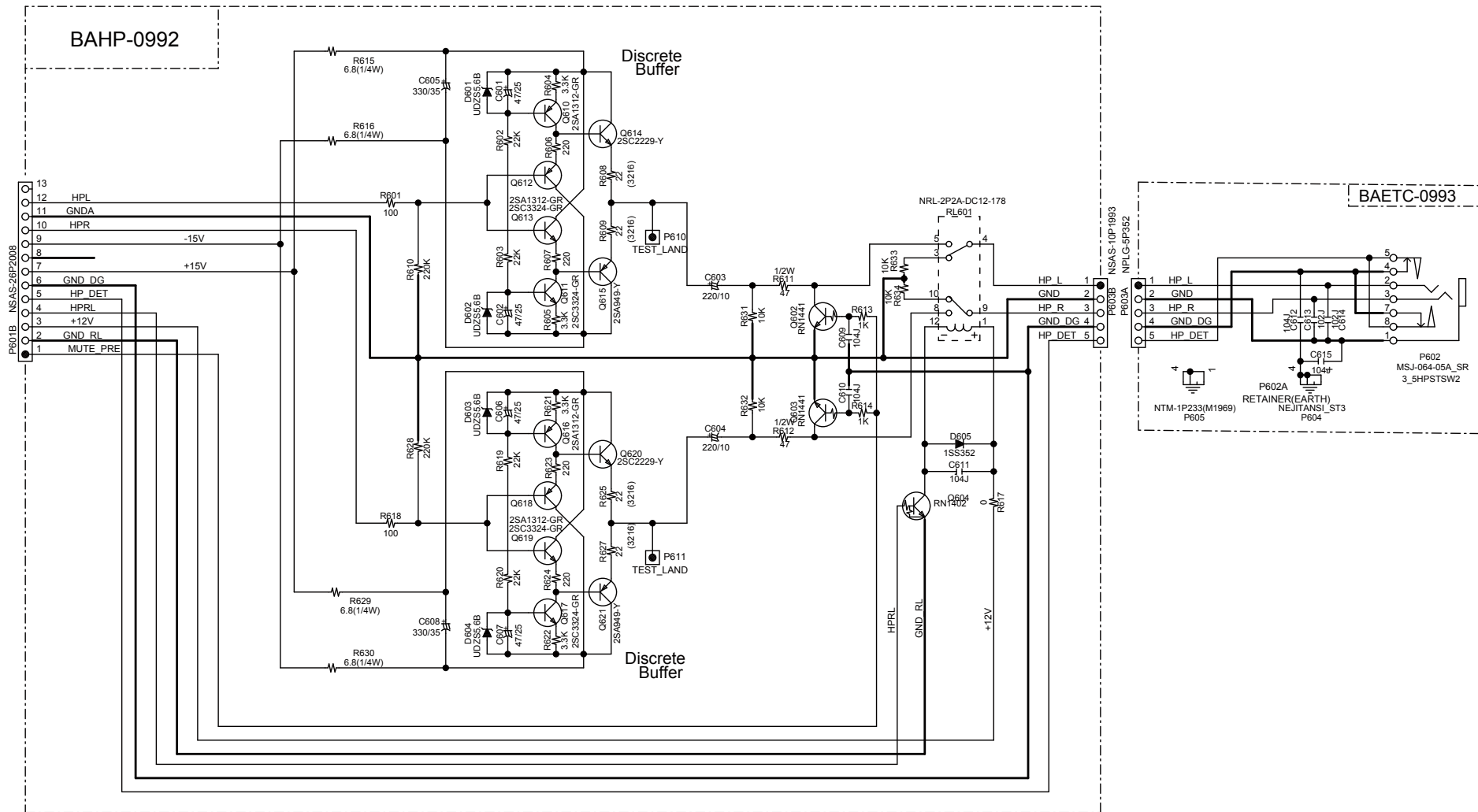
Phono AMP.

Model No. A-9000R/A-9070 SCHEMATIC DIAGRAM (PART-5) PHONO SECTION



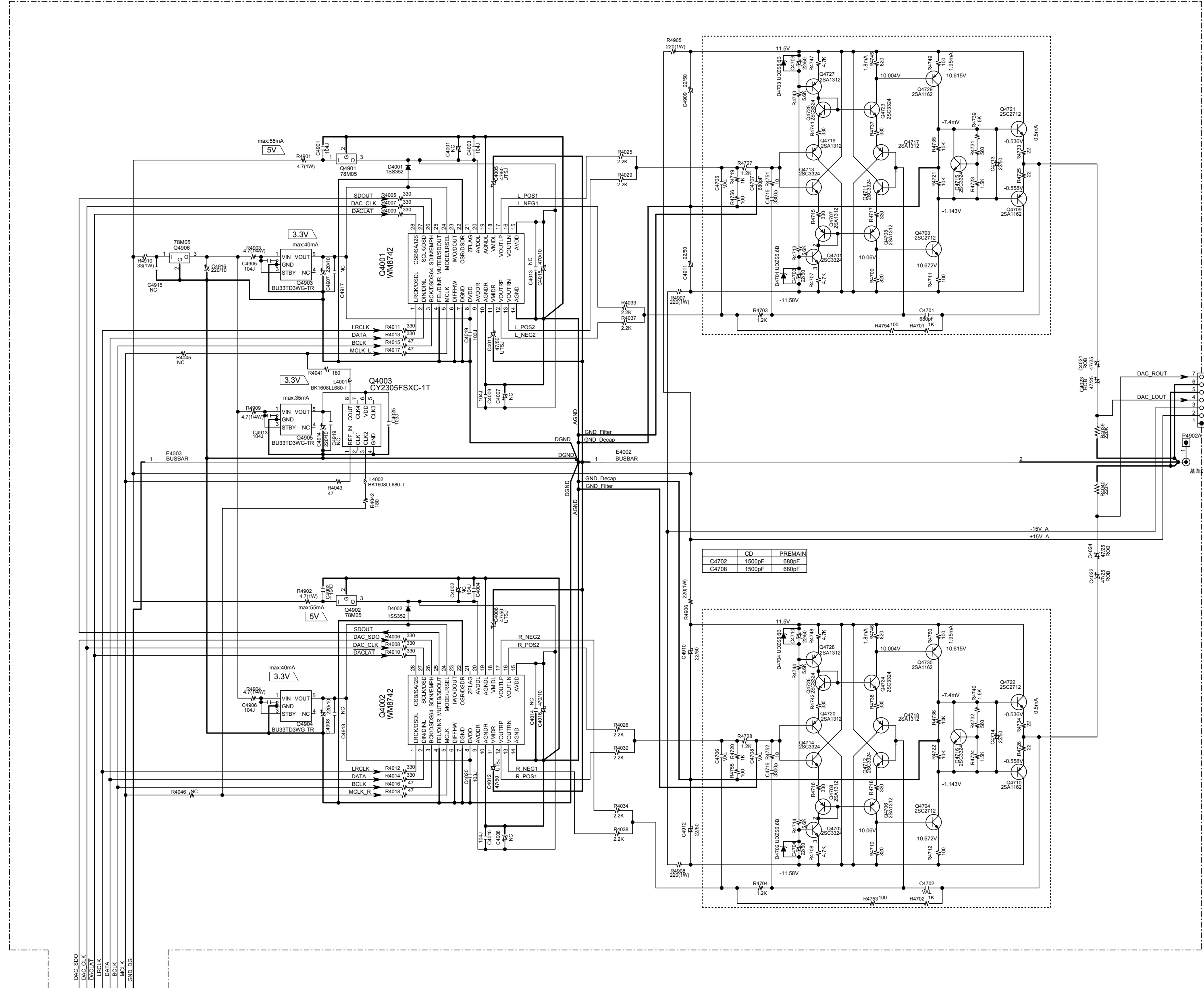
Schemata Diagrams - 6
Headphone AMP.

Model No. A-9000R/A-9070 SCHEMATIC DIAGRAM (PART-6) HeadPhone SECTION



Schematic Diagrams - 7
D/A Conv.

MODEL NO. A-9000R/A9070 SCHEMATIC DIAGRAM(PART-7) D/A Section



NOTE

- THE COMPONENTS IDENTIFIED BY MARK ARE CRITICAL FOR SAFETY REPLACE ONLY PART NUMBER SPECIFIED.
- VOLTAGE (MEASURED WITH VOLTMETER) IS DC VOLTAGE. (NO INPUT SIGNAL)
- ELECTROLYTIC CAPACITORS () ARE IN μ F/WV
- ALL CAPACITORS ARE IN pF UNLESS OTHERWISE NOTED.
EX) 030 \rightarrow 30pF 330 \rightarrow 330pF 331 \rightarrow 330pF 333 \rightarrow 0.033 μ F
- THE THICK LINES ON PC BOARD ARE THE PRINTING SIDE OF THE PARTS.
EX) PRINTING SIDE
- CIRCUIT IS SUBJECT TO CHANGE FOR IMPROVEMENT.

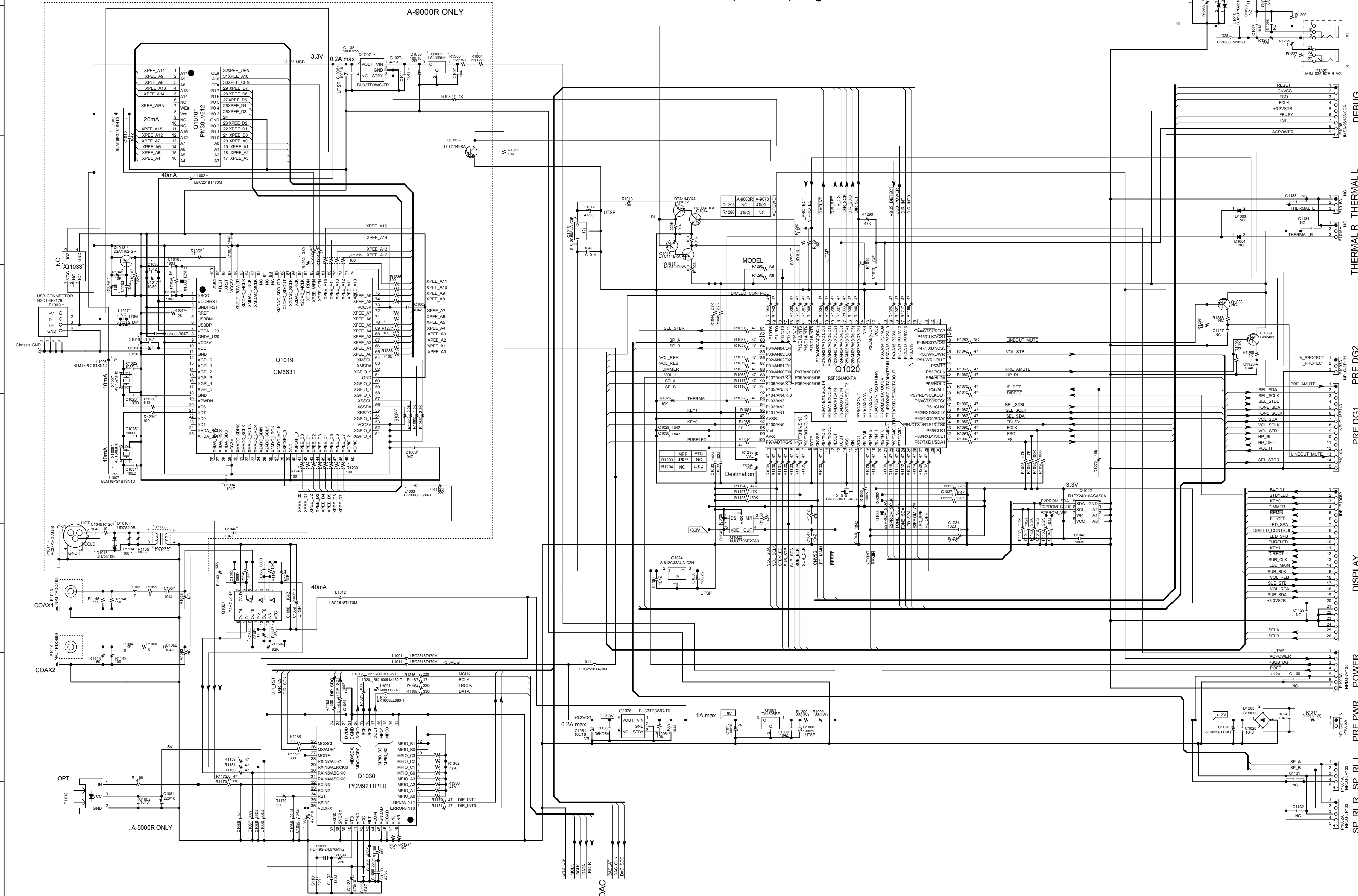
注記

- 印は火災、感電の危険に關与する部品の為、必ず指定部品を使用の事。
- 電圧表示は無信号時に測定した直流電圧を示す。
(単位V、入力抵抗100k Ω 以上の電圧計)
- 記入なき電容コンデンサ()の単位は μ F/WVである。
- 記入なきコンデンサの単位はpF/50WVである。
例) 030 \rightarrow 30pF 330 \rightarrow 330pF 331 \rightarrow 330pF 333 \rightarrow 0.033 μ F
- P/WV表示のシンボル記号において、太線は部品名印刷側である。
例) 印刷側
- 本記号図は基本配線図につき性能改善等により予告なく変更する事がある。
TO BUFFER

Schematic Diagrams - 8

Digital (USB, Optical etc.)

MODEL No. A-9000R/A-9070 SCHEMATIC DIAGRAM(PART-8) Digital Section



1

2

3

4

5

6

7

8

DEBUT

THERMAL R THERMAL L

PRE DG2

PRE DG1

DISPLAY

POWER

PRE PWR

SP_RLR SP_RLL

Schematic Diagrams - 9 Display

MODEL No. A-9000R/A-9070 SCHEMATIC DIAGRAM(PART-9) Display Section

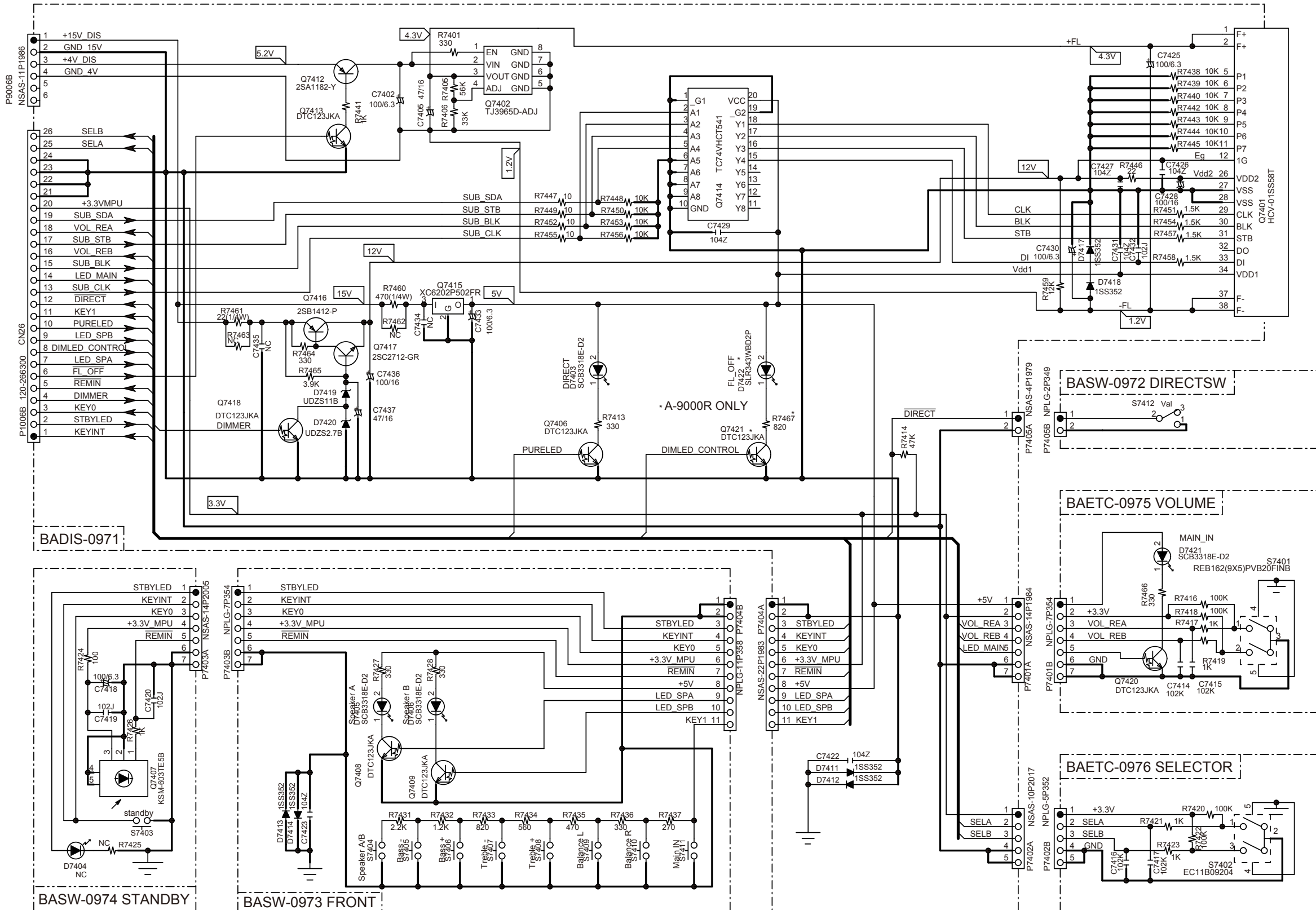
1

2

3

4

5



BADIS-0971

BASW-0972 DIRECTSW

BAETC-0975 VOLUME

BASW-0974 STANDBY

BASW-0973 FRONT

BAETC-0976 SELECTOR


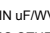
Schematic Diagrams - 10

Power Supply

Model No.A-9000R/A-9070

SCHEMATIC DIAGRAM (PART 10/10)

PS SECTION

- * THE COMPONENTS IDENTIFIED BY MARK  ARE CRITICAL FOR SAFETY. REPLACE ONLY WITH PART NUMBER SPECIFIED.
- * VOLTAGE (MEASURED WITH VOLT METER) IS DC VOLTAGE. (NO INPUT SIGNAL)
- * ELECTROLYTIC CAPACITORS () ARE IN uF/WV.
- * ALL CAPACITORS ARE IN pF/50V UNLESS OTHERWISE NOTED.
- EX) 030→3pF 330→33pF 331→330pF 333→0.033uF
- * CIRCUIT IS SUBJECT TO CHANGE FOR IMPROVEMENT.

A-9000R ONLY

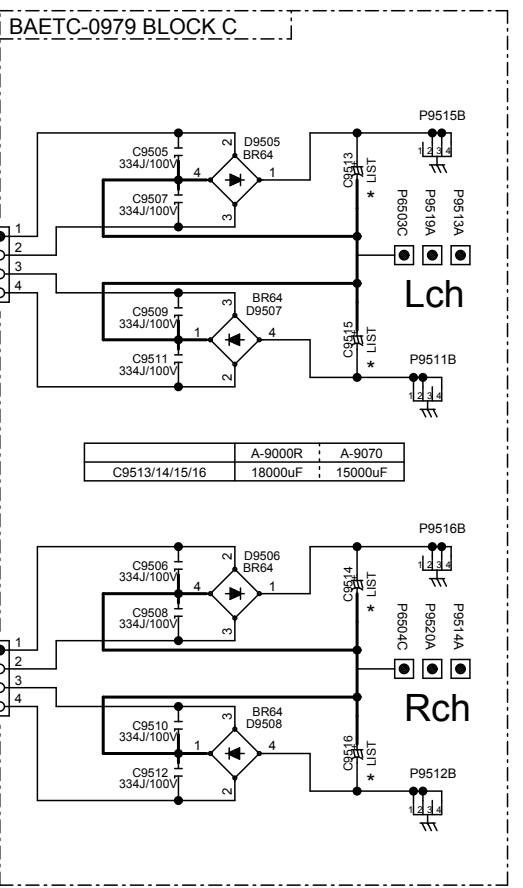
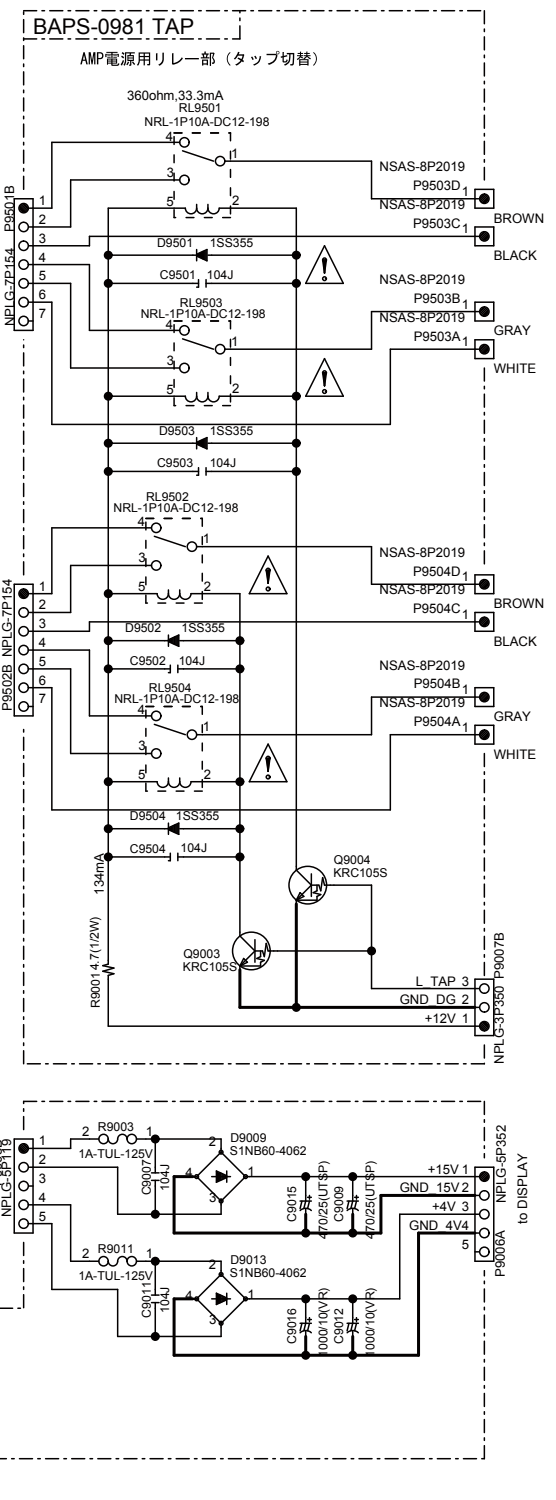
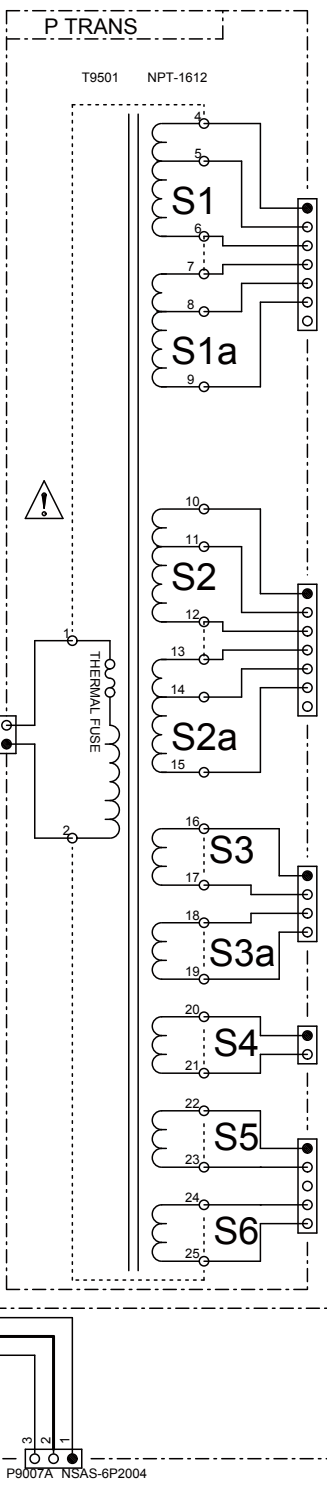
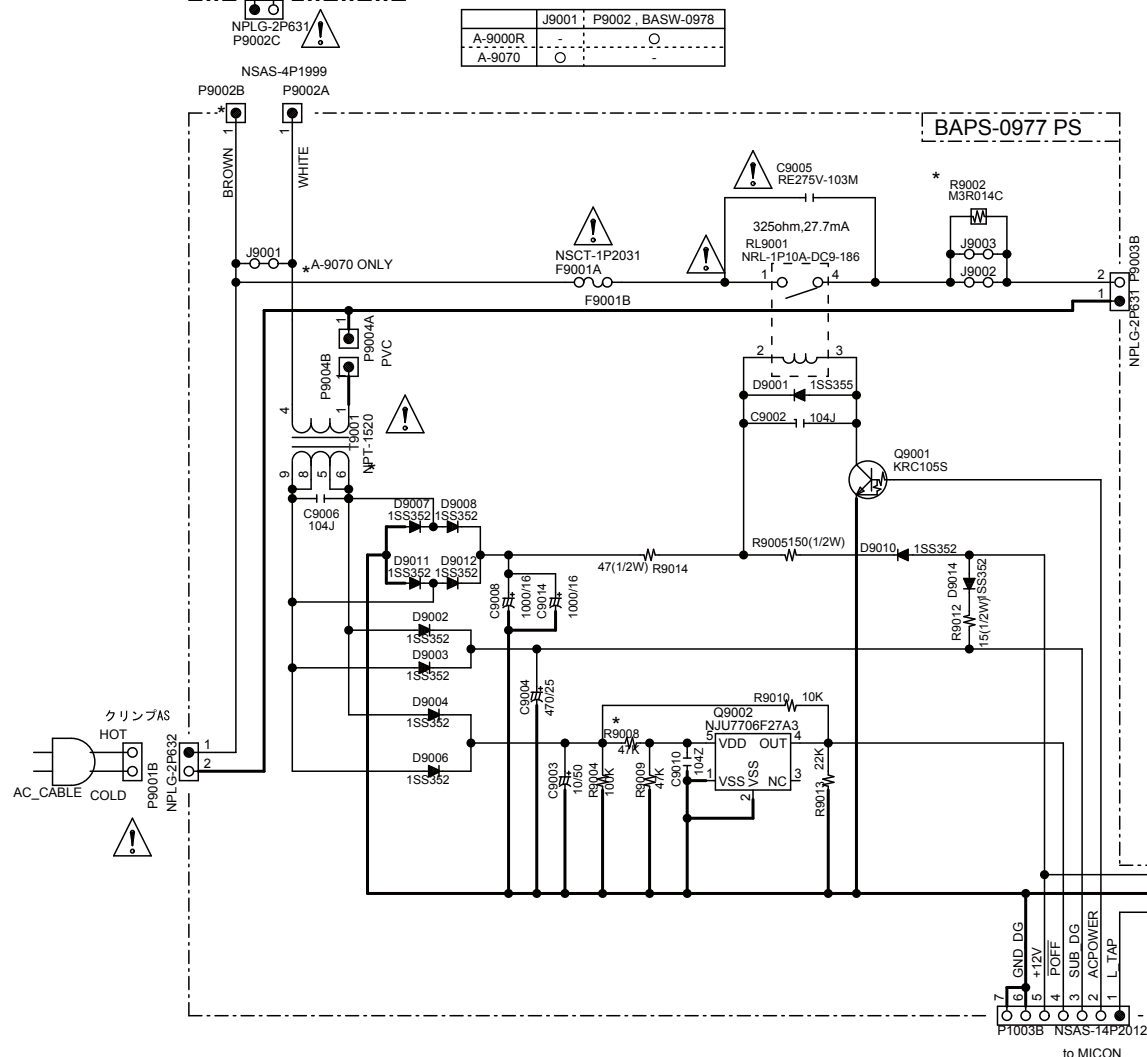
* BASW-0978 ACSW

EXCEPT DC.PR
S9001
NPS-111-L687P(TV-5)

250V 5A/80A

	MPP	MGR	MJJ	MDC
F9001	T2.5AL-250V	T2AL-250V	6.3A-125V	6.3A-125V
T9001	NPT-1520GQ	NPT-1520GQ	NPT-1520JQ	NPT-1520JQ
R9008	47K	47K	47K	68K
R9002				
J9002, J9003				
T9501	NPT-1612M	NPT-1612M	NPT-1612J	NPT-1612D

	J9001, P9002, BASW-0978
A-9000R	
A-9070	



CAUTION
FOR CONTINUED PROTECTION AGAINST FIRE HAZARD, REPLACE ONLY WITH FUSE OF SAME TYPE AND RATING INDICATED.

ATTENTION
CAUTION! AFIN D'ASSURER UNE PROTECTION PERMANENTE CONTRE LES RISQUES D'INCENDIE, REMPLACER UNIQUEMENT PAR UN FUSIBLE DE MEME TYPE ET CALIBRATION COMME INDIQUE.

THIS SYMBOL LOCATED NEAR THE FUSE INDICATES THAT THE FUSE USED IS SLOW OPERATING TYPE FOR CONTINUED PROTECTION AGAINST FIRE HAZARD, REPLACE WITH SAME TYPE FUSE. FOR FUSE RATING REFER TO THE MAKING ADJACENT TO THE SYMBOL.

CE SYMBOLE INDIQUE QUE LE FUSIBLE UTILISE EST A LENT. E POUR UNE PROTECTION PERMANENTE, UTILISER QUE DES FUSIBLES DE MEME TYPE. CE DARNIER EST INDIQUE LA QU LE PRESENT SYMBOLE EST APPOSE.

1

2

3

4

5

A-9070**<Note>**

Parts marked by "NSP" are generally unavailable because they are not in our Master Spare Parts List.

NOTE : THE COMPONENTS IDENTIFIED BY THE MARK ! ARE CRITICAL FOR RISK OF FIRE AND ELECTRIC SHOCK. REPLACE ONLY WITH PART NUMBER SPECIFIED.

<Notes>**(B) : Black model****(S) : Silver model****<MPP> : 230V,CE(European) country model****<MDC> : 120V,Canadian/USA/Mexico model****<MJJ> : 100V, Japan model****<MGR> : 220V,Chinese model****A-9070****EXPLODED VIEW PARTS LIST**

REF. NO.	PART NAME	DESCRIPTION	Q'TY	PART NO. (SN)	REMARKS
[SEMI CONDUCTOR]					
D9505	BRIDGE DIODE	BR64	1	22380369	
D9506	BRIDGE DIODE	BR64	1	22380369	
D9507	BRIDGE DIODE	BR64	1	22380369	
D9508	BRIDGE DIODE	BR64	1	22380369	
Q6523	TR	TTC0001(Q_T)TO3PN	1	2204130	
Q6523A	ISO SHEET	AC238	1	223024	
Q6524	TR	TTC0001(Q_T)TO3PN	1	2204130	
Q6524A	ISO SHEET	AC238	1	223024	
Q6525	TR	TTC0001(Q_T)TO3PN	1	2204130	
Q6525A	ISO SHEET	AC238	1	223024	
Q6526	TR	TTC0001(Q_T)TO3PN	1	2204130	
Q6526A	ISO SHEET	AC238	1	223024	
Q6531	TR	TTA0001(Q_T)TO3PN	1	2204120	
Q6531A	ISO SHEET	AC238	1	223024	
Q6532	TR	TTA0001(Q_T)TO3PN	1	2204120	
Q6532A	ISO SHEET	AC238	1	223024	
Q6533	TR	TTA0001(Q_T)TO3PN	1	2204120	

Q6533A	ISO SHEET	AC238	1	223024
Q6534	TR	TTA0001(Q_T)TO3PN	1	2204120
Q6534A	ISO SHEET	AC238	1	223024
[CHASSIS SCREW]				
A005	BRACKET	(F)	1	27131111B
A006	BRACKET	(SIDE-LU)	1	27131119B
A007	BRACKET	(SIDE-LB)	1	27131120B
A008	BRACKET	(SIDE-RU)	1	27131121B
A009	BRACKET	(SIDE-RB)	1	27131122B
A010	STAY	(BASE)	4	28183015A
A011	HEAT SINK	(M)	2	27160666
A012	SPACER	(PC)	16	27270485
A013	SPACER	(PC)	8	27270550
A014	BRACKET	(CH)	2	27131114A
A015	RETAINER	(HL)	2	27142274
A016	RETAINER	(HR)	2	27142275
A017	RETAINER	(BUS-C)	2	27142270A
A018	RETAINER	(HS-2)	1	27141530A
A019	TUBE	(SPIRAL)	1	262093
A020	RETAINER	PH-A	1	27142241
A021	RETAINER	(PWB)	2	27142276
A022	KNOB	(PHONO)	1	28326738
A023	GUIDE	(PH)	1	27268298
A024	TRM	ターミナル	1	25060151
A025	WASHER	W3*10F(3BC)	1	87643010GR
A026	SCREW	3TTB+8B(3BC)	9	838430088GR
A027	HOLDER	KGLS-6S	7	27190011
A028	HOLDER	KGLS-4S	8	27190009
A030	SCREW	4TTC+8C(3BC)	4	830440089GR
A031	SCREW	3B+6BN.	8	82563006
A032	SCREW	3TTB+10B(3BC)	20	838430108GR
A033	SCREW	3TTF+10B(3BC)	2	835430108GR
A034	SCREW	3SMH10W.SW+15B(CU)	12	801606
A035	SCREW	3P+6FN(3BC)	16	82143006GR
A036	SCREW	3P+10FN(3BC)	8	82143010GR

A038	SCREW	3B+6BN.	2	82563006	
A039	WIRE TIE	BSK-1	9	260208	
A040	CUSHION	T10*30*20HBK	1	28141869	
A041	CUSHION	(BUTYL)	1	28141748	
A042	SCREW	4TTB+8C(3BC)	45	838440089GR	
A042	SCREW	4TTB+8C(3BC)	42	838440089GR	<S>
A044	SCREW	3TTB+8B(3BC)	4	838430088GR	
A045	SPACER	t0.5xφ8xφ3.2テフロン	1	27270438	
A046	IB CUSHION	W15*3t TAPE	1	28141585	
A048	TRM	Eターミナル	1	25060151	
A049	WASHER	W3*10F(3BC)	1	87643010GR	
A050	STAY	(U1A)	1	28183017A	
A051	SCREW	3TTB+8B(3BC)	6	838430088GR	
A052	CUSHION	30x4Xt0.7	2	28141865	
A053	ST SCREW	4TTB+8C(NI)	3	838240089	<S>
A060	REAR PANEL	A-9070 MPP	1	27124331B	N <B MPP / S MPP>
A060	REAR PANEL	A-9070 MGR	1	27124332B	N <S MGR>
A060	REAR PANEL	A-9070 MJJ	1	27124333B	N <S MJJ>
A060	REAR PANEL	A-9070 MDC	1	27124334B	N <B MDC>
A061	SCREW	3TTB+8B(3BC)	31	838430088GR	
A062	SCREW	3P+6FN(3BC)	8	82143006GR	
A063	SCREW	3P+10FN(3BC)	8	82143010GR	
A064	HOLDER	(CLAMP) WS-1NS	4	27190541	
A065	CLAMP	WS-2NS	8	27300833	
A066	BUSHING	CE-012 L=33	2	28170109	
A067	BUSHING	CE-012 L=20	4	28170110	
A068	BUSHING	---	1	28170070	
A069	WS CLAMP	WS-3NS	1	260220	
A070	BUSHING	CE-016 L=40	1	28170102	
A071	PLA RIVET	P3035B	1	880016	
A072	CLIP	CS-1U	3	27255004	
A073	SCREW	3TTB+8B(3BC)	3	838430088GR	
A074	SCREW	3TTB+8B(CU)SR	16	801618	
A075	CUSHION	T0.7*110*4	2	28141861	
A076	CUSHION	T10*90*55HBK	1	28141862	

A078	IB CUSHION	W15*3t TAPE	1	28141585	
A079	CUSHION	---	2	28141799	
A080	SPACER	---	1	27270439	
[CABINET]					
A100	F PANEL	A-9070(B)	1	27213512D	N
A100	F PANEL	A-9070(S)	1	27213513D	N <S>
A102	CLEAR PLT	RE(B)	1	28192370A	
A102	CLEAR PLT	RE(S)	1	28192371A	<S>
A103	FACET	A	2	28200063	
A104	KNOB	STBY-BASE	1	28327034	
A105	KNOB	STBY(B)	1	28327037A	
A106	KNOB	STBY(S)	1	28327038A	<S>
A107	BADGE	---	1	28135317	
A109	WF TAPE	5000N W12	1	260702	
A110	F BRACKET	(B)DOOR 9070	1	27111598D	N
A110	F BRACKET	(S)DOOR 9070	1	27111599D	N <S>
A111	KNOB	A(B)	2	28327048	
A111	KNOB	A(S)	2	28327049	<S>
A112	KNOB	B(B)	6	28327050	
A112	KNOB	B(S)	6	28327051	<S>
A113	SHAFT	(A)	1	27260382	
A115	FACET	B	2	28200065A	
A117	RETAINER	EARTH	5	27142267	
A118	RETAINER	SW-TOG	1	27142268A	
A120	GUIDE	DIS	1	27268296	
A121	CLEAR PLT	---	1	28192369	
A122	B PLATE	---	1	28133441	
A123	B PLATE	---	1	28133440	<S>
A124	GUIDE	SEL	1	27268300	
A125	KNOB	SEL(B)AS	1	28327053B	
A125	KNOB	SEL(S)AS	1	28327054B	<S>
A127	CUSHION	SW-TOG	1	28141886	
A128	IB CUSHION	W15*3t TAPE	1	28141585	
A130	GUIDE	VOL	1	27268297A	
A131	KNOB	VOL(B)AS	1	28327055	

A131	KNOB	VOL(S)AS	1	28327056	<S>
A132	SCREW	Set Screw M4x6	1	800565	
A134	SPACER	t0.5φ50φ6.5	1	27270554	
A135	CUSHION	t1.5φ48φ34	1	28141903	
A140	DOOR	(B)AS MPP 9070	1	28148823D	N
A140	DOOR	(S)AS MPP 9070	1	28148824C	N <S>
A141	SHAFT	L	1	27260380	
A142	SHAFT	R	1	27260381	
A143	RETAINER	DOOR	2	27142266A	
A144	HOLDER	DAMPER	2	27191362B	
A145	MAGNET	DOOR	2	28181050	
A146	BUSHING	(DOOR)B	3	28170104A	
A146	BUSHING	(DOOR)S	3	28170105A	<S>
A147	HOLDER	MAGNET	3	27191367A	
A148	DAMPER	BAREL	2	27301966	
A149	E-WASHER	ES-3S	1	8930301S	
A150	TAPE	NITTO NO.31C(B)	1	29110215	
A160	SCREW	2.6P+4FN	34	82112604	
A190	SCREW	3TTB+8B(3BC)	3	838430088GR	
A191	SCREW	2.6TTB+8B(3BC)	27	838426088GR	
A200	TAPE	TAPE(CLOTH-8U)	1	29110082	
A201	TAPE	TAPE(CLOTH-16U)	1	29110083	
A211	COVER	(B)	1	28210107A	N
A211	COVER	(S)	1	28210108A	N <S>
A214	BOTTOM BRD	---	1	27170340	
A215	LEG	(B)	4	27175464	
A216	CUSHION	(LEG)	4	28141735	
A217	SCREW	(COVER)	11	801645	<S>
A217	SCREW	(COVER)	11	801657	
[TRANS COIL]					
T9501	P TRANS	NPT-1612J	1	2302036B	!, N <S MJJ>
T9501	P TRANS	NPT-1612D	1	2302037B	!, N <B MDC>
T9501	P TRANS	NPT-1612M	1	2302038B	!, N <B MPP / S MGR, MPP>
[SW TRM]					
F9001	FUSE	2A-SE-EAK FUSE	1	252074GR	! <S MGR>

F9001	FUSE	2.5A-SE-EAK FUSE	1	252075GR	!	<B MPP / S MPP>
F9001	FUSE	6.3A-UL/T-233	1	252328GR	!	<B MDC / S MJJ>
F9001C	LABEL	T2.5AL250V	1	29361747		<B MPP / S MPP>
F9001C	FUSE LABEL	6.3A/125V	1	29362027		<B MDC / S MJJ>
F9001C	FUSE LABEL	T2AL250V	1	29363126		<S MGR>
P1006	SOCKET AS	NSAS-52P2029	1	2009991265UL		
P109	SHORT PIN	YKV11-0435N	1	25056583		
P110	SHORT PIN	YKV11-0435N	1	25056583		
P6503C	SMI TUBE	SMI TUBE 8BLK:8phi 150mm	1	75842	N	
P6504C	SMI TUBE	SMI TUBE 8BLK:8phi 150mm	1	75842	N	
P9001A	AC INLET	R301X2PSn	1	25053358	!	<B MDC, MPP / S MGR, MPP>
P9001A	AC INLET	R301X3PSn	1	25053359	!	<S MJJ>
P9001C	FASTON AS	FASTON SOCKET	1	1F999031A		
[TUNER UNIT]						
U001	U0010~U0017	BAAMP-1011-1B *	1	1B264511-1B		
U0010	POWER AMP. Lch PC BOARD AS	BAAMP-1011-1B	1	1B2645011-1B		
U0011	POWER AMP. Rch PC BOARD AS	BAAMP-1012-1B	1	1B2645012-1B		
U0012	SPEAKER RELAY Lch PC BOARD AS	BATRM-1013-1B	1	1B2645013-1B		
U0013	SPEAKER RELAY Rch PC BOARD AS	BATRM-1014-1B	1	1B2645014-1B		
U0014	THERMAL SENSOR Lch PC BOARD AS	BAETC-1015-1B	1	1B2645015-1B		
U0015	THERMAL SENSOR Rch PC BOARD AS	BAETC-1016-1B	1	1B2645016-1B		
U0016	PWB	BAETC-1017-1B	1	1B2645017-1B		
U0017	PWB	BAETC-1018-1B	1	1B2645018-1B		
U002	U0020~U0026, U0028, U00210	BADIS-0971-1C *	1	1B264571-1C		<B MPP / S MPP>
U0020	DISPLAY PC BOARD AS	BADIS-0971-1C	1	1B2645971-1C		<B MPP / S MPP>
U0021	DIRECT SW. PC BOARD AS	BASW-0972-1C	1	1B2645972-1C		<B MPP / S MPP>
U0022	TONE, BASS etc. SW. PC BOARD AS	BASW-0973-1C	1	1B2645973-1C		<B MPP / S MPP>
U0023	STANDBY SW. PC BOARD AS	BASW-0974-1C	1	1B2645974-1C		<B MPP / S MPP>
U0024	VOLUME PC BOARD AS	BAETC-0975-1C	1	1B2645975-1C		<B MPP / S MPP>
U0025	INPUT SELECTOR SW. PC BOARD AS	BAETC-0976-1C	1	1B2645976-1C		<B MPP / S MPP>
U0026	POWER SUPPLY PC BOARD AS	BAPS-0977-1C	1	1B2645977-1C		<B MPP / S MPP>
U0028	BLOCK C., BRIDGE D. PC BOARD AS	BAETC-0979-1C	1	1B2645979-1C		<B MPP / S MPP>
U00210	HI/LO TAP SW. for P.TRANS PC BOARD AS	BAPS-0981-1C	1	1B2645981-1C		<B MPP / S MPP>
U002	U0020~U0026, U0028, U00210	BADIS-0971-1D *	1	1B264571-1D	N	<S MJJ>
U0020	DISPLAY PC BOARD AS	BADIS-0971-1D	1	1B2645971-1D	N	<S MJJ>

U0021	DIRECT SW. PC BOARD AS	BASW-0972-1D	1	1B2645972-1D	<S MJJ>
U0022	TONE, BASS etc. SW. PC BOARD AS	BASW-0973-1D	1	1B2645973-1D	<S MJJ>
U0023	STANDBY SW. PC BOARD AS	BASW-0974-1D	1	1B2645974-1D	<S MJJ>
U0024	VOLUME PC BOARD AS	BAETC-0975-1D	1	1B2645975-1D	<S MJJ>
U0025	INPUT SELECTOR SW. PC BOARD AS	BAETC-0976-1D	1	1B2645976-1D	<S MJJ>
U0026	POWER SUPPLY PC BOARD AS	BAPS-0977-1D	1	1B2645977-1D	<S MJJ>
U0028	BLOCK C., BRIDGE D. PC BOARD AS	BAETC-0979-1D	1	1B2645979-1D	<S MJJ>
U00210	HI/LO TAP SW. for P.TRANS PC BOARD AS	BAPS-0981-1D	1	1B2645981-1D	<S MJJ>
U002	U0020~U0026, U0028, U00210	BADIS-0971-1E *	1	1B264571-1E	N <B MDC>
U0020	DISPLAY PC BOARD AS	BADIS-0971-1E	1	1B2645971-1E	N <B MDC>
U0021	DIRECT SW. PC BOARD AS	BASW-0972-1E	1	1B2645972-1E	<B MDC>
U0022	TONE, BASS etc. SW. PC BOARD AS	BASW-0973-1E	1	1B2645973-1E	<B MDC>
U0023	STANDBY SW. PC BOARD AS	BASW-0974-1E	1	1B2645974-1E	<B MDC>
U0024	VOLUME PC BOARD AS	BAETC-0975-1E	1	1B2645975-1E	<B MDC>
U0025	INPUT SELECTOR SW. PC BOARD AS	BAETC-0976-1E	1	1B2645976-1E	<B MDC>
U0026	POWER SUPPLY PC BOARD AS	BAPS-0977-1E	1	1B2645977-1E	<B MDC>
U0028	BLOCK C., BRIDGE D. PC BOARD AS	BAETC-0979-1E	1	1B2645979-1E	<B MDC>
U00210	HI/LO TAP SW. for P.TRANS PC BOARD AS	BAPS-0981-1E	1	1B2645981-1E	<B MDC>
U002	U0020~U0026, U0028, U00210	BADIS-0971-1F *	1	1B264571-1F	N <S MGR>
U0020	DISPLAY PC BOARD AS	BADIS-0971-1F	1	1B2645971-1F	N <S MGR>
U0021	DIRECT SW. PC BOARD AS	BASW-0972-1F	1	1B2645972-1F	<S MGR>
U0022	TONE, BASS etc. SW. PC BOARD AS	BASW-0973-1F	1	1B2645973-1F	<S MGR>
U0023	STANDBY SW. PC BOARD AS	BASW-0974-1F	1	1B2645974-1F	<S MGR>
U0024	VOLUME PC BOARD AS	BAETC-0975-1F	1	1B2645975-1F	<S MGR>
U0025	INPUT SELECTOR SW. PC BOARD AS	BAETC-0976-1F	1	1B2645976-1F	<S MGR>
U0026	POWER SUPPLY PC BOARD AS	BAPS-0977-1F	1	1B2645977-1F	<S MGR>
U0028	BLOCK C., BRIDGE D. PC BOARD AS	BAETC-0979-1F	1	1B2645979-1F	<S MGR>
U00210	HI/LO TAP SW. for P.TRANS PC BOARD AS	BAPS-0981-1F	1	1B2645981-1F	<S MGR>
U003	U0030~U00310	BAASP-0987-1B *	1	1B264587-1B	
U0030	AUDIO SIGNAL PROCESSOR PC BOARD AS	BAASP-0987-1B	1	1B2645987-1B	
U0031	PHONO AMP. Lch PC BOARD AS	BAAF-0988-1B	1	1B2645988-1B	
U0032	PHONO AMP. Rch PC BOARD AS	BAAF-0989-1B	1	1B2645989-1B	
U0033	BUFFER AMP. Lch PC BOARD AS	BAACC-0990-1B	1	1B2645990-1B	
U0034	BUFFER AMP. Rch PC BOARD AS	BAACC-0991-1B	1	1B2645991-1B	
U0035	HEADPHONE AMP. PC BOARD AS	BAHP-0992-1B	1	1B2645992-1B	

U0036	HEADPHONE JACK PC BOARD AS	BAETC-0993-1B	1	1B2645993-1B	
U0037	PRE. AMP. 1st Lch	BACLA-0995-1B	1	1B2645995-1B	
U0038	PRE. AMP. 1st Rch	BACLA-0996-1B	1	1B2645996-1B	
U0039	PRE. AMP. 2nd Lch	BACLA-0999-1B	1	1B2645999-1B	
U00310	PRE. AMP. 2nd Rch	BACLA-1000-1B	1	1B2645000-1B	
U004	MICON, DIGITAL, D/A CONV. PC BOARD AS	BADG-0998-1B	1	1B264598-1B	<B MPP / S MPP>
U004	MICON, DIGITAL, D/A CONV. PC BOARD AS	BADG-0998-1D	1	1B264598-1D	N <B MDC / S MGR, MJJ>

A-9070

PACKING PROCEDURES PARTS LIST

REF. NO.	PART NAME	DESCRIPTION	Q'TY	PART NO. (SN)	REMARKS
[PACKING]					
A350	PAD	AS	1	29092613A	
A411	LABEL	(CAUTION)	1	29363797	<S>
A412	LABEL	(COVER)	1	29364123	
A413	SHEET	T1.015*1300*800	1	29096134	
A413	LABEL	(FLASH)(B)	1	29391423	<B MDC>
A414	TAPE	(SEROHAN)NITTO NO.29	1	29110149	
A415	PP TAPE	W50 SBT-70	1	29110200	
A416	LABEL	(PT)	1	29391178	
A417A	EAN LABEL	A-9070(S)MGR	{ 1}	29391700	N <S MGR>
A417A	UPC LABEL	A-9070(B)MDC	{ 1}	29391702	N <B MDC>
A417A	EAN LABEL	A-9070(B)MPP	{ 1}	29391703	N <B MPP>
A417A	EAN LABEL	A-9070(S)MPP	{ 1}	29391704	N <S MPP>
A417A	JAN LABEL	A-9070(S)MJJ	{ 1}	29391705	N <S MJJ>
A419	LABEL	(CHINA)	1	29390858A	<S MGR>
A420	LABEL	(CCC)	1	29364396	<S MGR>
A422	CARTON	---	1	29055265	N
A424	CARTON	(S)MJJ	1	29055267	N <S MJJ>
A425	STAPLE	FUKAN-BARI(1000KO)	4	282321	
A450	SHEET	DOOR	1	29096136	
A500	SHEET	(ACC)A4	1	29096115A	
P411	P RIVET	JB-407A-C	8	880052	<B MPP / S MPP>

[ACCESSARY]					
A400	TAPE	(SEROHAN)NITTO NO.29	1	29110149	
A401	REMO CON	RC-830S	1	24140830	N
A403	BATTERY	R03/AAA(UM-4)	2	3010124	
A403 or	BATTERY	R03/24D(UM-4)	(2)	3010503	
A404	WRNTY CARD	AS	1	29365147	<S MJJ>
A405	DIRECTORY	---	1	29358032D	<S MJJ>
A406	QUST SHEET	JJ	1	29370045E	<S MJJ>
A407	INST SHEET	WEEE	1	29355793A	<B MPP / S MPP>
A408	LABEL	(APV)	1	29390190	<S MGR>
A409	AC CORD	AS-CEE-3	1	253298VOL	<B MPP / S MPP>
A409	AC CORD	AS-UC-2	1	253301VOL	<B MDC>
A409	AC CORD	AS-CCC	1	253358VOL	<S MGR>
A409	AC CORD	AS-JA	1	253382KAW	<S MJJ>
A410	POLY BAG	w250xd350	1	29100250A	<S MJJ>
A856	INS MANUAL	En(A-9070)	1	29400849	N <B MDC, MPP / S MPP>
A857	INS MANUAL	U2FrEs(A-9070)	1	29400850	N <B MDC, MPP / S MPP>
A858	INS MANUAL	U2HDe(A-9070)	1	29400851	N <B MPP / S MPP>
A859	INS MANUAL	U2NiSv(A-9070)	1	29400852	N <B MPP / S MPP>
A860	INS MANUAL	Cs(A-9070)	1	29400853	N <S MGR>
A861	INST SHEET	CHINA ROHS	1	29355616B	<S MGR>
A862	WRNTY CARD	(ONKYO)	1	29365135	<B MDC>
A862	INS MANUAL	Ja(A-9070)	1	29400854	N <S MJJ>
A862	WRNTY CARD	(ONKYO-CH)	1	29365098C	<S MGR>
A901	POLY BAG	w250xd350	1	29100250A	
A902	TAPE	(SEROHAN)NITTO NO.29	1	29110149	

A-9070

PC BOARD PARTS LIST

U001	U0010-U0017	BAAMP-1011-1B *	1	1B264511-1B
U0010	POWER AMP. Lch PC BOARD AS	BAAMP-1011-1B	1	1B2645011-1B
U0011	POWER AMP. Rch PC BOARD AS	BAAMP-1012-1B	1	1B2645012-1B
U0012	SPEAKER RELAY Lch PC BOARD AS	BATRM-1013-1B	1	1B2645013-1B

U0013	SPEAKER RELAY Rch PC BOARD AS	BATRM-1014-1B	1	1B2645014-1B
U0014	THERMAL SENSOR Lch PC BOARD AS	BAETC-1015-1B	1	1B2645015-1B
U0015	THERMAL SENSOR Rch PC BOARD AS	BAETC-1016-1B	1	1B2645016-1B
U0016	PWB	BAETC-1017-1B	1	1B2645017-1B
U0017	PWB	BAETC-1018-1B	1	1B2645018-1B

CIRCUIT NO.	PART NAME	DESCRIPTION	Q'TY	PART NO. (SN)	REMARKS
[SEMI CONDUCTOR]					
D6501	C-DIODE	1SS352	1	223234R2	
D6501 or	C-DIODE	1SS355	(1)	223269R2	
D6501 or	C-DIODE	MA2J111	(1)	223279R2	
D6501 or	C-DIODE	KDS4148U	(1)	223283R2	
D6502	C-DIODE	1SS352	1	223234R2	
D6502 or	C-DIODE	1SS355	(1)	223269R2	
D6502 or	C-DIODE	MA2J111	(1)	223279R2	
D6502 or	C-DIODE	KDS4148U	(1)	223283R2	
D6503	C-DIODE	1SS352	1	223234R2	
D6504	C-DIODE	1SS352	1	223234R2	
D6505	C-DIODE	1SS352	1	223234R2	
D6506	C-DIODE	1SS352	1	223234R2	
D6507	C-DIODE	1SS352	1	223234R2	
D6508	C-DIODE	1SS352	1	223234R2	
D6509	ZENER D	UDZS4.3B	1	224550430R2	
D6510	ZENER D	UDZS4.3B	1	224550430R2	
D6511	ZENER D	UDZS5.1B	1	224550510R2	
D6512	ZENER D	UDZS5.1B	1	224550510R2	
D6513	DIODE	RL1N4003	1	22380260T	
D6514	DIODE	RL1N4003	1	22380260T	
D6515	DIODE	RL1N4003	1	22380260T	
D6516	DIODE	RL1N4003	1	22380260T	
D6517	ZENER D	UDZS5.1B	1	224550510R2	
D6518	ZENER D	UDZS5.1B	1	224550510R2	
D6519	C-DIODE	1SS352	1	223234R2	
D6520	C-DIODE	1SS352	1	223234R2	
D6521	C-DIODE	1SS352	1	223234R2	

D6522	C-DIODE	1SS352	1	223234R2
D6523	ZENER D	UDZS4.7B	1	224550470R2
D6524	ZENER D	UDZS4.7B	1	224550470R2
Q6501	TR	2SC2713-GR(TE85R_F)	1	2213135R2
Q6502	TR	2SC2713-GR(TE85R_F)	1	2213135R2
Q6503	TR	2SC3423-Y	1	2202104
Q6504	TR	2SC3423-Y	1	2202104
Q6511	TR	2SA1930(ONK_Q)	1	2203000
Q6512	TR	2SA1930(ONK_Q)	1	2203000
Q6513	TR	2SC5171(ONK_Q)	1	2203010
Q6514	TR	2SC5171(ONK_Q)	1	2203010
Q6515	TR	2SC3423-Y	1	2202104
Q6516	TR	2SC3423-Y	1	2202104
Q6517	TR	2SA1360-Y	1	2202094
Q6518	TR	2SA1360-Y	1	2202094
Q6519	TR	2SC3423-Y	1	2202104
Q6520	TR	2SC3423-Y	1	2202104
Q6537	TR	2SC2713-GR(TE85R_F)	1	2213135R2
Q6538	TR	2SC2713-GR(TE85R_F)	1	2213135R2
Q6543	TR	2SA1163-BL(TE85L_F)	1	2216756R2
Q6544	TR	2SA1163-BL(TE85L_F)	1	2216756R2
Q6545	TR	2SA1163-BL(TE85L_F)	1	2216756R2
Q6546	TR	2SA1163-BL(TE85L_F)	1	2216756R2
Q6547	TR	2SC2713-GR(TE85R_F)	1	2213135R2
Q6548	TR	2SC2713-GR(TE85R_F)	1	2213135R2
Q6549	IC	TC7S14F(TE85L_F)	1	22241175R2
Q6550	IC	TC7S14F(TE85L_F)	1	22241175R2
Q6551	TR	KRC105S	1	2217290R2
Q6551 or	TR	RN1405	(1)	2214500R2
Q6552	TR	KRC105S	1	2217290R2
Q6552 or	TR	RN1405	(1)	2214500R2
Q6553	TR	KRC105S	1	2217290R2
Q6553 or	TR	RN1405	(1)	2214500R2
Q6554	TR	KRC105S	1	2217290R2
Q6554 or	TR	RN1405	(1)	2214500R2

[TRANS COIL]					
L6505	S-COIL		SC-1.1X6.5X26.5T	1	231433S
L6506	S-COIL		SC-1.1X6.5X26.5T	1	231433S
[CAPACITOR]					
C6503	MKT C		B32529C0102J289	1	376491024T
C6503 or	UMXR C		1HUMXRTF102JE	(1)	376521024T
C6504	MKT C		B32529C0102J289	1	376491024T
C6504 or	UMXR C		1HUMXRTF102JE	(1)	376521024T
C6505	UTSP C		CE04W100V-22M(UTSP)	1	397592207T
C6506	UTSP C		CE04W100V-22M(UTSP)	1	397592207T
C6507	TF C		ECQ-V50V-104J	1	374721044T
C6508	TF C		ECQ-V50V-104J	1	374721044T
C6509	TF C		ECQ-V50V-104J	1	374721044T
C6510	TF C		ECQ-V50V-104J	1	374721044T
C6511	TF C		ECQ-V100V-333J	1	374733334T
C6512	TF C		ECQ-V100V-333J	1	374733334T
C6513	UTSP C		CE04W100V-22M(UTSP)	1	397592207T
C6514	UTSP C		CE04W100V-22M(UTSP)	1	397592207T
C6515	UTSP C		CE04W25V-100M(UTSP)	1	397551017T
C6516	UTSP C		CE04W25V-100M(UTSP)	1	397551017T
C6517	C-CERA C		CK725B1H-223K1	1	332102235R1
C6518	C-CERA C		CK725B1H-223K1	1	332102235R1
C6519	UTSP C		CE04W50V-1M(UTSP)	1	397580107T
C6520	UTSP C		CE04W50V-1M(UTSP)	1	397580107T
C6521	C-CERA C		CK725B1H-223K1	1	332102235R1
C6522	C-CERA C		CK725B1H-223K1	1	332102235R1
C6523	UTSP C		CE04W50V-4.7M(UTSP)	1	397580477T
C6524	UTSP C		CE04W50V-4.7M(UTSP)	1	397580477T
C6525	UTSP C		CE04W63V-100M(UTSP)	1	397571017T
C6526	UTSP C		CE04W63V-100M(UTSP)	1	397571017T
C6527	UTSP C		CE04W63V-100M(UTSP)	1	397571017T
C6528	UTSP C		CE04W63V-100M(UTSP)	1	397571017T
C6529	TF C		ECQ-V50V-104J	1	374721044T
C6530	TF C		ECQ-V50V-104J	1	374721044T
C6531	UTSP C		CE04W10V-100M(UTSP)	1	397531017T

C6532	UTSP C	CE04W10V-100M(UTSP)	1	397531017T
[RESISTOR]				
L6523	FR CORE	*	1	5597-45502
L6524	FR CORE	*	1	5597-45502
L6525	FR CORE	*	1	5597-45502
L6526	FR CORE	*	1	5597-45502
R6525	C-CARBON R	RN72K1J-562JE	1	435035624R1
R6526	C-CARBON R	RN72K1J-562JE	1	435035624R1
R6527	C-CARBON R	RN72K1J-333JE	1	435033334R1
R6528	C-CARBON R	RN72K1J-333JE	1	435033334R1
R6529	C-CARBON R	RN72K1J-103JE	1	435031034R1
R6530	C-CARBON R	RN72K1J-103JE	1	435031034R1
R6531	C-CARBON R	RN72K1J-392JE	1	435033924R1
R6532	C-CARBON R	RN72K1J-392JE	1	435033924R1
R6533	C-CARBON R	RN72K1J-562JE	1	435035624R1
R6534	C-CARBON R	RN72K1J-562JE	1	435035624R1
R6541	C-CARBON R	RN72K1J-272JE	1	435032724R1
R6542	C-CARBON R	RN72K1J-272JE	1	435032724R1
R6545	C-CARBON R	RN72K1J-392JE	1	435033924R1
R6546	C-CARBON R	RN72K1J-392JE	1	435033924R1
R6551	CARBON R	R16J-150K	1	417341544T
R6552	CARBON R	R16J-150K	1	417341544T
R6553	TRIM R	N06HR2KBB	1	5211402T
R6554	TRIM R	N06HR2KBB	1	5211402T
R6565	NF CARBON R	R25J-2.2	1	415470224T
R6566	NF CARBON R	R25J-2.2	1	415470224T
R6567	NF CARBON R	R25J-82	1	415478204T
R6568	NF CARBON R	R25J-82	1	415478204T
R6569	NF CARBON R	R25J-15	1	415471504T
R6570	NF CARBON R	R25J-15	1	415471504T
R6571	NF CARBON R	R25J-33	1	415473304T
R6572	NF CARBON R	R25J-33	1	415473304T
R6573	NF CARBON R	R25J-47	1	415474704T
R6574	NF CARBON R	R25J-47	1	415474704T
R6575	NF CARBON R	R25J-15	1	415471504T

R6576	NF CARBON R	R25J-15	1	415471504T
R6579	NF CARBON R	R25J-2.2	1	415470224T
R6580	NF CARBON R	R25J-2.2	1	415470224T
R6581	NF CARBON R	R25J-82	1	415478204T
R6582	NF CARBON R	R25J-82	1	415478204T
R6583	C-CARBON R	RN72K1J-473JE	1	435034734R1
R6584	C-CARBON R	RN72K1J-473JE	1	435034734R1
R6591	METAL O R	RS1WBJ-10	1	443621004T
R6592	METAL O R	RS1WBJ-10	1	443621004T
R6597	CEMENT R	RSS3WJ-0.22	1	48192294
R6598	CEMENT R	RSS3WJ-0.22	1	48192294
R6599	CEMENT R	RSS3WJ-0.22	1	48192294
R6600	CEMENT R	RSS3WJ-0.22	1	48192294
R6605	C-CARBON R	RN72K1J-153JE	1	435031534R1
R6606	C-CARBON R	RN72K1J-153JE	1	435031534R1
R6607	METAL O R	RS2WBJ-33	1	441723304F
R6608	METAL O R	RS2WBJ-33	1	441723304F
R6627	C-CARBON R	RN72K1J-333JE	1	435033334R1
R6628	C-CARBON R	RN72K1J-333JE	1	435033334R1
R6629	C-CARBON R	RN72K1J-333JE	1	435033334R1
R6630	C-CARBON R	RN72K1J-333JE	1	435033334R1
R6631	C-CARBON R	RN72K1J-223JE	1	435032234R1
R6632	C-CARBON R	RN72K1J-223JE	1	435032234R1
R6633	C-CARBON R	RN72K1J-103JE	1	435031034R1
R6634	C-CARBON R	RN72K1J-103JE	1	435031034R1
R6635	C-CARBON R	RN72K1J-562JE	1	435035624R1
R6636	C-CARBON R	RN72K1J-562JE	1	435035624R1
R6637	C-CARBON R	RN72K1J-224JE	1	435032244R1
R6638	C-CARBON R	RN72K1J-224JE	1	435032244R1
R6639	C-CARBON R	RN72K1J-223JE	1	435032234R1
R6640	C-CARBON R	RN72K1J-223JE	1	435032234R1
R6641	C-CARBON R	RN72K1J-562JE	1	435035624R1
R6642	C-CARBON R	RN72K1J-562JE	1	435035624R1
R6643	NF CARBON R	R25J-10	1	415471004T
R6644	NF CARBON R	R25J-10	1	415471004T

R6645	NF CARBON R	R25J-10	1	415471004T	
R6646	NF CARBON R	R25J-10	1	415471004T	
R6647	METAL O R	RS1WBJ-10K	1	443621034T	
R6648	METAL O R	RS1WBJ-10K	1	443621034T	
R6649	NF CARBON R	R25J-33	1	415473304T	
R6650	NF CARBON R	R25J-33	1	415473304T	
R6651	C-CARBON R	RN72K1J-103JE	1	435031034R1	
R6652	C-CARBON R	RN72K1J-103JE	1	435031034R1	
R6653	NF CARBON R	R25J-22	1	415472204T	
R6654	NF CARBON R	R25J-22	1	415472204T	
R6655	NF CARBON R	R25J-22	1	415472204T	
R6656	NF CARBON R	R25J-22	1	415472204T	
R6658	C-CARBON R	RN72K1J-000JE	1	435030004R1	
R6659	FUSE	5A-UL-125V	1	252385T	
R6660	FUSE	5A-UL-125V	1	252385T	
R6661	FUSE	5A-UL-125V	1	252385T	
R6662	FUSE	5A-UL-125V	1	252385T	
[SW TRM]					
E6501	TRM(SCREW)	NEJITANSI M3	1	25065425	
E6502	TRM(SCREW)	NEJITANSI M3	1	25065425	
E6503	TRM(SCREW)	NEJITANSI M3	1	25065425	
E6504	TRM(SCREW)	NEJITANSI M3	1	25065425	
P1001B	SOCKET AS	NSAS-10P2000	1	2002A381012UL	N
P1002B	SOCKET AS	NSAS-10P2000	1	2002A381012UL	N
P5503A	SOCKET AS	NSAS-10P2009	1	2004C201030UL	N
P5504A	SOCKET AS	NSAS-10P2009	1	2004C201030UL	N
P5505B	CRIMP AS	1.8S-SGF-41T-4:BLK200	1	20799191UL	N
P5506B	CRIMP AS	1.8S-SGF-41T-4:BLK200	1	20799191UL	N
P5601B	PLUG	IMSA-9210B-1-11ZA076-PT1	1	25056677	
P5602B	PLUG	IMSA-9210B-1-11ZA076-PT1	1	25056677	
P6501B	PLUG	NPLG-3P131	1	25055147	
P6502B	PLUG	NPLG-3P131	1	25055147	
P6503A	TRM(SCREW)	NEJITANSI M3	1	25065425	
P6503B	CRIMP AS	CRIMP AS	1	2069355402UL	N
P6504A	TRM(SCREW)	NEJITANSI M3	1	25065425	

P6504B	CRIMP AS	CRIMP AS	1	2069355402UL	N
P6505A	PLUG	NPLG-2P645	1	25055689	
P6506A	PLUG	NPLG-2P645	1	25055689	
P6513	TRM	NTM-2PDMCR425	1	25060499	<B MDC, MPP / S MGR, MJJ, N
P6514	TRM	NTM-2PDMCR399	1	25060471	<B MDC, MPP / S MGR, MJJ, N
P6515	TRM	NTM-2PDMCR425	1	25060499	<B MDC, MPP / S MGR, MJJ, N
P6516	TRM	NTM-2PDMCR399	1	25060471	<B MDC, MPP / S MGR, MJJ, N
P6517A	CRIMP AS	1.8S-TAMAG:BLK320	1	2069355320UL	N <B MDC, MPP / S MGR, MJJ, N
P6518A	CRIMP AS	1.8S-TAMAG:BLK320	1	2069355320UL	N <B MDC, MPP / S MGR, MJJ, N
P9511A	CRIMP AS	CRIMP AS	1	2069325109UL	N
P9512A	CRIMP AS	CRIMP AS	1	2069325109UL	N
P9513A	CRIMP AS	1.8S-TAMAG:RED100	1	2069355102UL	
P9514A	CRIMP AS	1.8S-TAMAG:RED100	1	2069355102UL	
P9515A	CRIMP AS	CRIMP AS	1	2069325105UL	N
P9516A	CRIMP AS	CRIMP AS	1	2069325105UL	N
P9519A	CRIMP AS	1.8S-TAMAG:BROWN100	1	2069355101UL	
P9520A	CRIMP AS	1.8S-TAMAG:BROWN100	1	2069355101UL	
P9535	RETAINER	(BUS-AMP1)	1	27142213	
P9536	RETAINER	(BUS-AMP1)	1	27142213	
P9537	RETAINER	(BUS-AMP1)	1	27142213	
P9538	RETAINER	(BUS-AMP1)	1	27142213	
P9539	RETAINER	(BUS-AMP1)	1	27142213	
P9540	RETAINER	(BUS-AMP1)	1	27142213	
RL6501	RELAY	NRL-2P5A-DC12-192	1	25065702	
RL6502	RELAY	NRL-2P5A-DC12-192	1	25065702	
RL6503	RELAY	NRL-2P5A-DC12-192	1	25065702	
RL6504	RELAY	NRL-2P5A-DC12-192	1	25065702	

U002	U0020-U0026, U0028, U00210	BADIS-0971-1C *	1	1B264571-1C	<B MPP / S MPP>
U0020	DISPLAY PC BOARD AS	BADIS-0971-1C	1	1B2645971-1C	<B MPP / S MPP>
U0021	DIRECT SW. PC BOARD AS	BASW-0972-1C	1	1B2645972-1C	<B MPP / S MPP>
U0022	TONE, BASS etc. SW. PC BOARD AS	BASW-0973-1C	1	1B2645973-1C	<B MPP / S MPP>
U0023	STANDBY SW. PC BOARD AS	BASW-0974-1C	1	1B2645974-1C	<B MPP / S MPP>
U0024	VOLUME PC BOARD AS	BAETC-0975-1C	1	1B2645975-1C	<B MPP / S MPP>

U0025	INPUT SELECTOR SW. PC BOARD AS	BAETC-0976-1C	1	1B2645976-1C	<B MPP / S MPP>
U0026	POWER SUPPLY PC BOARD AS	BAPS-0977-1C	1	1B2645977-1C	<B MPP / S MPP>
U0028	BLOCK C., BRIDGE D. PC BOARD AS	BAETC-0979-1C	1	1B2645979-1C	<B MPP / S MPP>
U00210	HI/LO TAP SW. for P.TRANS PC BOARD AS	BAPS-0981-1C	1	1B2645981-1C	<B MPP / S MPP>
U002	U0020~U0026, U0028, U00210	BADIS-0971-1D *	1	1B264571-1D	<S MJJ>
U0020	DISPLAY PC BOARD AS	BADIS-0971-1D	1	1B2645971-1D	<S MJJ>
U0021	DIRECT SW. PC BOARD AS	BASW-0972-1D	1	1B2645972-1D	<S MJJ>
U0022	TONE, BASS etc. SW. PC BOARD AS	BASW-0973-1D	1	1B2645973-1D	<S MJJ>
U0023	STANDBY SW. PC BOARD AS	BASW-0974-1D	1	1B2645974-1D	<S MJJ>
U0024	VOLUME PC BOARD AS	BAETC-0975-1D	1	1B2645975-1D	<S MJJ>
U0025	INPUT SELECTOR SW. PC BOARD AS	BAETC-0976-1D	1	1B2645976-1D	<S MJJ>
U0026	POWER SUPPLY PC BOARD AS	BAPS-0977-1D	1	1B2645977-1D	<S MJJ>
U0028	BLOCK C., BRIDGE D. PC BOARD AS	BAETC-0979-1D	1	1B2645979-1D	<S MJJ>
U00210	HI/LO TAP SW. for P.TRANS PC BOARD AS	BAPS-0981-1D	1	1B2645981-1D	<S MJJ>
U002	U0020~U0026, U0028, U00210	BADIS-0971-1E *	1	1B264571-1E	<B MDC>
U0020	DISPLAY PC BOARD AS	BADIS-0971-1E	1	1B2645971-1E	<B MDC>
U0021	DIRECT SW. PC BOARD AS	BASW-0972-1E	1	1B2645972-1E	<B MDC>
U0022	TONE, BASS etc. SW. PC BOARD AS	BASW-0973-1E	1	1B2645973-1E	<B MDC>
U0023	STANDBY SW. PC BOARD AS	BASW-0974-1E	1	1B2645974-1E	<B MDC>
U0024	VOLUME PC BOARD AS	BAETC-0975-1E	1	1B2645975-1E	<B MDC>
U0025	INPUT SELECTOR SW. PC BOARD AS	BAETC-0976-1E	1	1B2645976-1E	<B MDC>
U0026	POWER SUPPLY PC BOARD AS	BAPS-0977-1E	1	1B2645977-1E	<B MDC>
U0028	BLOCK C., BRIDGE D. PC BOARD AS	BAETC-0979-1E	1	1B2645979-1E	<B MDC>
U00210	HI/LO TAP SW. for P.TRANS PC BOARD AS	BAPS-0981-1E	1	1B2645981-1E	<B MDC>
U002	U0020~U0026, U0028, U00210	BADIS-0971-1F *	1	1B264571-1F	<S MGR>
U0020	DISPLAY PC BOARD AS	BADIS-0971-1F	1	1B2645971-1F	<S MGR>
U0021	DIRECT SW. PC BOARD AS	BASW-0972-1F	1	1B2645972-1F	<S MGR>
U0022	TONE, BASS etc. SW. PC BOARD AS	BASW-0973-1F	1	1B2645973-1F	<S MGR>
U0023	STANDBY SW. PC BOARD AS	BASW-0974-1F	1	1B2645974-1F	<S MGR>
U0024	VOLUME PC BOARD AS	BAETC-0975-1F	1	1B2645975-1F	<S MGR>
U0025	INPUT SELECTOR SW. PC BOARD AS	BAETC-0976-1F	1	1B2645976-1F	<S MGR>
U0026	POWER SUPPLY PC BOARD AS	BAPS-0977-1F	1	1B2645977-1F	<S MGR>
U0028	BLOCK C., BRIDGE D. PC BOARD AS	BAETC-0979-1F	1	1B2645979-1F	<S MGR>
U00210	HI/LO TAP SW. for P.TRANS PC BOARD AS	BAPS-0981-1F	1	1B2645981-1F	<S MGR>

CIRCUIT NO.	PART NAME	DESCRIPTION	Q'TY	PART NO. (SN)	REMARKS
[SEMI CONDUCTOR]					
D7403	LED	SCB3318E-D2	1	225487	
D7403A	HOLDER	(LED-LH5-2)	1	27191336	
D7405	LED	SCB3318E-D2	1	225487	
D7405A	HOLDER	(LED-LH5-2)	1	27191336	
D7406	LED	SCB3318E-D2	1	225487	
D7406A	HOLDER	(LED-LH5-2)	1	27191336	
D7411	C-DIODE	1SS352	1	223234R2	
D7411 or	C-DIODE	1SS355	(1)	223269R2	
D7411 or	C-DIODE	MA2J111	(1)	223279R2	
D7411 or	C-DIODE	KDS4148U	(1)	223283R2	
D7412	C-DIODE	1SS352	1	223234R2	
D7412 or	C-DIODE	1SS355	(1)	223269R2	
D7412 or	C-DIODE	MA2J111	(1)	223279R2	
D7412 or	C-DIODE	KDS4148U	(1)	223283R2	
D7413	C-DIODE	1SS352	1	223234R2	
D7413 or	C-DIODE	1SS355	(1)	223269R2	
D7413 or	C-DIODE	MA2J111	(1)	223279R2	
D7413 or	C-DIODE	KDS4148U	(1)	223283R2	
D7414	C-DIODE	1SS352	1	223234R2	
D7414 or	C-DIODE	1SS355	(1)	223269R2	
D7414 or	C-DIODE	MA2J111	(1)	223279R2	
D7414 or	C-DIODE	KDS4148U	(1)	223283R2	
D7417	C-DIODE	1SS352	1	223234R2	
D7417 or	C-DIODE	1SS355	(1)	223269R2	
D7417 or	C-DIODE	MA2J111	(1)	223279R2	
D7417 or	C-DIODE	KDS4148U	(1)	223283R2	
D7418	C-DIODE	1SS352	1	223234R2	
D7418 or	C-DIODE	1SS355	(1)	223269R2	
D7418 or	C-DIODE	MA2J111	(1)	223279R2	
D7418 or	C-DIODE	KDS4148U	(1)	223283R2	
D7419	ZENER D	UDZS11B	1	224551100R2	
D7420	ZENER D	UDZS 2.7B	1	224550270R2	
D7421	LED	SCB3318E-D2	1	225487	

D7421A	HOLDER	(LED-LH5-2)	1	27191336
D9001	C-DIODE	1SS355	1	223269R2
D9002	C-DIODE	1SS352	1	223234R2
D9002 or	C-DIODE	1SS355	(1)	223269R2
D9002 or	C-DIODE	MA2J111	(1)	223279R2
D9002 or	C-DIODE	KDS4148U	(1)	223283R2
D9003	C-DIODE	1SS352	1	223234R2
D9003 or	C-DIODE	1SS355	(1)	223269R2
D9003 or	C-DIODE	MA2J111	(1)	223279R2
D9003 or	C-DIODE	KDS4148U	(1)	223283R2
D9004	C-DIODE	1SS352	1	223234R2
D9004 or	C-DIODE	1SS355	(1)	223269R2
D9004 or	C-DIODE	MA2J111	(1)	223279R2
D9004 or	C-DIODE	KDS4148U	(1)	223283R2
D9006	C-DIODE	1SS352	1	223234R2
D9006 or	C-DIODE	1SS355	(1)	223269R2
D9006 or	C-DIODE	MA2J111	(1)	223279R2
D9006 or	C-DIODE	KDS4148U	(1)	223283R2
D9007	C-DIODE	1SS352	1	223234R2
D9007 or	C-DIODE	1SS355	(1)	223269R2
D9007 or	C-DIODE	MA2J111	(1)	223279R2
D9007 or	C-DIODE	KDS4148U	(1)	223283R2
D9008	C-DIODE	1SS352	1	223234R2
D9008 or	C-DIODE	1SS355	(1)	223269R2
D9008 or	C-DIODE	MA2J111	(1)	223279R2
D9008 or	C-DIODE	KDS4148U	(1)	223283R2
D9009	C-DIODE	S1NB60-4062	1	22380318R2
D9010	C-DIODE	1SS352	1	223234R2
D9010 or	C-DIODE	1SS355	(1)	223269R2
D9010 or	C-DIODE	MA2J111	(1)	223279R2
D9010 or	C-DIODE	KDS4148U	(1)	223283R2
D9011	C-DIODE	1SS352	1	223234R2
D9011 or	C-DIODE	1SS355	(1)	223269R2
D9011 or	C-DIODE	MA2J111	(1)	223279R2
D9011 or	C-DIODE	KDS4148U	(1)	223283R2

D9012	C-DIODE	1SS352	1	223234R2
D9012 or	C-DIODE	1SS355	(1)	223269R2
D9012 or	C-DIODE	MA2J111	(1)	223279R2
D9012 or	C-DIODE	KDS4148U	(1)	223283R2
D9013	C-DIODE	S1NB60-4062	1	22380318R2
D9014	C-DIODE	1SS355	1	223269R2
D9014 or	C-DIODE	1SS352	(1)	223234R2
D9014 or	C-DIODE	MA2J111	(1)	223279R2
D9014 or	C-DIODE	KDS4148U	(1)	223283R2
D9501	C-DIODE	1SS355	1	223269R2
D9501 or	C-DIODE	1SS352	(1)	223234R2
D9501 or	C-DIODE	MA2J111	(1)	223279R2
D9501 or	C-DIODE	KDS4148U	(1)	223283R2
D9502	C-DIODE	1SS355	1	223269R2
D9502 or	C-DIODE	1SS352	(1)	223234R2
D9502 or	C-DIODE	MA2J111	(1)	223279R2
D9502 or	C-DIODE	KDS4148U	(1)	223283R2
D9503	C-DIODE	1SS355	1	223269R2
D9503 or	C-DIODE	1SS352	(1)	223234R2
D9503 or	C-DIODE	MA2J111	(1)	223279R2
D9503 or	C-DIODE	KDS4148U	(1)	223283R2
D9504	C-DIODE	1SS355	1	223269R2
D9504 or	C-DIODE	1SS352	(1)	223234R2
D9504 or	C-DIODE	MA2J111	(1)	223279R2
D9504 or	C-DIODE	KDS4148U	(1)	223283R2
Q7401	FL TUBE	HCV-01SS58T	1	212275
Q7401A	CUSHION	---	2	28141857
Q7402	IC	TJ3965D-ADJ	1	22242683R2
Q7406	TR	DTC123JKA	1	2216690R2
Q7406 or	TR	RN1405	(1)	2214500R2
Q7406 or	TR	KRC105S	(1)	2217290R2
Q7407	REMO SENS	KSM-603TE5B	1	24130019
Q7408	TR	DTC123JKA	1	2216690R2
Q7408 or	TR	RN1405	(1)	2214500R2
Q7408 or	TR	KRC105S	(1)	2217290R2

Q7409	TR	DTC123JKA	1	2216690R2	
Q7409 or	TR	RN1405	(1)	2214500R2	
Q7409 or	TR	KRC105S	(1)	2217290R2	
Q7412	TR	2SA1182-Y(TE85R_F)	1	2214384R2	
Q7413	TR	DTC123JKA	1	2216690R2	
Q7413 or	TR	RN1405	(1)	2214500R2	
Q7413 or	TR	KRC105S	(1)	2217290R2	
Q7414	IC	TC74VHCT541AFT	1	22274541GR2TO	
Q7415	IC	XC6202P502FR	1	22242331R2	
Q7416	TR	2SB1412-P	1	2216881R2	
Q7417	TR	2SC2712-GR	1	2213145R2	
Q7418	TR	DTC123JKA	1	2216690R2	
Q7418 or	TR	RN1405	(1)	2214500R2	
Q7418 or	TR	KRC105S	(1)	2217290R2	
Q7420	TR	DTC123JKA	1	2216690R2	
Q7420 or	TR	RN1405	(1)	2214500R2	
Q7420 or	TR	KRC105S	(1)	2217290R2	
Q9001	TR	KRC105S	1	2217290R2	
Q9001 or	TR	RN1405	(1)	2214500R2	
Q9002	IC	NJU7706F27A3	1	22242614R2	
Q9003	TR	KRC105S	1	2217290R2	
Q9003 or	TR	RN1405	(1)	2214500R2	
Q9004	TR	KRC105S	1	2217290R2	
Q9004 or	TR	RN1405	(1)	2214500R2	
[TRANS COIL]					
T9001	P TRANS	NPT-1520JQ	1	2301812A	! <S MJJ, B MDC>
T9001	P TRANS	NPT-1520GQ	1	2301813A	! <B MPP / S MPP, S MGR>
[CAPACITOR]					
C7402	ELECT C	CE04W6.3V-100M	1	355721019T	
C7405	ELECT C	CE04W16V-47M(S)	1	353744709T	
C7414	C-CERA C	CK725B1H-102K1	1	332101025R1	
C7415	C-CERA C	CK725B1H-102K1	1	332101025R1	
C7416	C-CERA C	CK725B1H-102K1	1	332101025R1	
C7417	C-CERA C	CK725B1H-102K1	1	332101025R1	
C7418	ELECT C	CE04W6.3V-100M	1	355721019T	

C7419	C-CERA C	CC725CH1H-102J1	1	342101024R1	
C7420	C-CERA C	CC725CH1H-102J1	1	342101024R1	
C7422	C-CERA C	CK725F1E-104Z1	1	332161040R1	
C7423	C-CERA C	CK725F1E-104Z1	1	332161040R1	
C7425	ELECT C	CE04W6.3V-100M	1	355721019T	
C7426	C-CERA C	CK725F1E-104Z1	1	332161040R1	
C7427	C-CERA C	CK725F1E-104Z1	1	332161040R1	
C7428	ELECT C	CE04W16V-100M	1	355741019T	
C7429	C-CERA C	CK725F1E-104Z1	1	332161040R1	
C7430	ELECT C	CE04W6.3V-100M	1	355721019T	
C7431	C-CERA C	CK725F1E-104Z1	1	332161040R1	
C7432	C-CERA C	CC725CH1H-102J1	1	342101024R1	
C7433	ELECT C	CE04W6.3V-100M	1	355721019T	
C7436	ELECT C	CE04W16V-100M	1	355741019T	
C7437	ELECT C	CE04W16V-47M(S)	1	353744709T	
C9002	TF C	ECQ-V50V-104J	1	374721044T	
C9003	UTSP C	CE04W50V-10M(UTSP)	1	397581007T	
C9004	UTSP C	CE04W25V-470M(UTSP)	1	397554717T	
C9005	IS C	RE275V-103M	1	3500196S	!
C9006	TF C	ECQ-V50V-104J	1	374721044T	
C9007	TF C	ECQ-V50V-104J	1	374721044T	
C9008	VR C	CE04W16V-1000M(VR)	1	394641027T	
C9009	UTSP C	CE04W25V-470M(UTSP)	1	397554717T	
C9010	C-CERA C	CK725F1E-104Z1	1	332161040R1	
C9011	TF C	ECQ-V50V-104J	1	374721044T	
C9012	VR C	CE04W10V-1000M(VR)	1	394631027T	
C9014	VR C	CE04W16V-1000M(VR)	1	394641027T	
C9015	UTSP C	CE04W25V-470M(UTSP)	1	397554717T	
C9016	VR C	CE04W10V-1000M(VR)	1	394631027T	
C9501	TF C	ECQ-V50V-104J	1	374721044T	
C9502	TF C	ECQ-V50V-104J	1	374721044T	
C9503	TF C	ECQ-V50V-104J	1	374721044T	
C9504	TF C	ECQ-V50V-104J	1	374721044T	
C9505	TF C	ECQ-V100V-334J	1	374733344T	
C9506	TF C	ECQ-V100V-334J	1	374733344T	

C9507	TF C	ECQ-V100V-334J	1	374733344T	
C9508	TF C	ECQ-V100V-334J	1	374733344T	
C9509	TF C	ECQ-V100V-334J	1	374733344T	
C9510	TF C	ECQ-V100V-334J	1	374733344T	
C9511	TF C	ECQ-V100V-334J	1	374733344T	
C9512	TF C	ECQ-V100V-334J	1	374733344T	
C9513	ELECT C	CE69W71V-15000M	1	3504473	<B MPP / S MPP, S MJJ, B MD
C9514	ELECT C	CE69W71V-15000M	1	3504473	<B MPP / S MPP, S MJJ, B MD
C9515	ELECT C	CE69W71V-15000M	1	3504473	<B MPP / S MPP, S MJJ, B MD
C9516	ELECT C	CE69W71V-15000M	1	3504473	<B MPP / S MPP, S MJJ, B MD
[RESISTOR]					
R7401	C-CARBON R	RN72K1J-331JE	1	435033314R1	
R7405	C-CARBON R	RN72K1J-563JE	1	435035634R1	
R7406	C-CARBON R	RN72K1J-333JE	1	435033334R1	
R7413	C-CARBON R	RN72K1J-331JE	1	435033314R1	
R7414	C-CARBON R	RN72K1J-473JE	1	435034734R1	
R7416	C-CARBON R	RN72K1J-104JE	1	435031044R1	
R7417	C-CARBON R	RN72K1J-102JE	1	435031024R1	
R7418	C-CARBON R	RN72K1J-104JE	1	435031044R1	
R7419	C-CARBON R	RN72K1J-102JE	1	435031024R1	
R7420	C-CARBON R	RN72K1J-104JE	1	435031044R1	
R7421	C-CARBON R	RN72K1J-102JE	1	435031024R1	
R7422	C-CARBON R	RN72K1J-104JE	1	435031044R1	
R7423	C-CARBON R	RN72K1J-102JE	1	435031024R1	
R7424	C-CARBON R	RN72K1J-101JE	1	435031014R1	
R7426	C-CARBON R	RN72K1J-102JE	1	435031024R1	
R7427	C-CARBON R	RN72K1J-331JE	1	435033314R1	
R7428	C-CARBON R	RN72K1J-331JE	1	435033314R1	
R7431	C-CARBON R	RN72K1J-222JE	1	435032224R1	
R7432	C-CARBON R	RN72K1J-122JE	1	435031224R1	
R7433	C-CARBON R	RN72K1J-821JE	1	435038214R1	
R7434	C-CARBON R	RN72K1J-561JE	1	435035614R1	
R7435	C-CARBON R	RN72K1J-471JE	1	435034714R1	
R7436	C-CARBON R	RN72K1J-331JE	1	435033314R1	
R7437	C-CARBON R	RN72K1J-271JE	1	435032714R1	

R7438	C-CARBON R	RN72K1J-103JE	1	435031034R1	
R7439	C-CARBON R	RN72K1J-103JE	1	435031034R1	
R7440	C-CARBON R	RN72K1J-103JE	1	435031034R1	
R7441	C-CARBON R	RN72K1J-102JE	1	435031024R1	
R7442	C-CARBON R	RN72K1J-103JE	1	435031034R1	
R7443	C-CARBON R	RN72K1J-103JE	1	435031034R1	
R7444	C-CARBON R	RN72K1J-103JE	1	435031034R1	
R7445	C-CARBON R	RN72K1J-103JE	1	435031034R1	
R7446	C-CARBON R	RN72K1J-220JE	1	435032204R1	
R7447	C-CARBON R	RN72K1J-100JE	1	435031004R1	
R7448	C-CARBON R	RN72K1J-103JE	1	435031034R1	
R7449	C-CARBON R	RN72K1J-100JE	1	435031004R1	
R7450	C-CARBON R	RN72K1J-103JE	1	435031034R1	
R7451	C-CARBON R	RN72K1J-152JE	1	435031524R1	
R7452	C-CARBON R	RN72K1J-100JE	1	435031004R1	
R7453	C-CARBON R	RN72K1J-103JE	1	435031034R1	
R7454	C-CARBON R	RN72K1J-152JE	1	435031524R1	
R7455	C-CARBON R	RN72K1J-100JE	1	435031004R1	
R7456	C-CARBON R	RN72K1J-103JE	1	435031034R1	
R7457	C-CARBON R	RN72K1J-152JE	1	435031524R1	
R7458	C-CARBON R	RN72K1J-152JE	1	435031524R1	
R7459	C-CARBON R	RN72K1J-123JE	1	435031234R1	
R7460	NF CARBON R	R25J-470	1	415474714T	
R7461	NF CARBON R	R25J-22	1	415472204T	
R7464	C-CARBON R	RN72K1J-331JE	1	435033314R1	
R7465	C-CARBON R	RN72K1J-392JE	1	435033924R1	
R7466	C-CARBON R	RN72K1J-331JE	1	435033314R1	
R9001	METAL R	RNU1/2WCJ-4.7	1	453530474T	
R9002	THERMISTOR	M3R014C	1	4000148	<S MGR>
R9002A	C COVER	SB1925A	1	27301216	<S MGR>
R9003	FUSE	1A-TUL-125V	1	252377T	
R9004	C-CARBON R	RN72K1J-104JE	1	435031044R1	
R9005	METAL O R	RS1/2WBJ-150	1	443521514T	
R9008	C-CARBON R	RN72K1J-473JE	1	435034734R1	<B MPP / S MPP, S MJJ, S MGI>
R9008	C-CARBON R	RN72K1J-683JE	1	435036834R1	<B MDC>

R9009	C-CARBON R	RN72K1J-473JE	1	435034734R1	
R9010	C-CARBON R	RN72K1J-103JE	1	435031034R1	
R9011	FUSE	1A-TUL-125V	1	252377T	
R9012	METAL O R	RS1/2WBJ-15	1	443521504T	
R9013	C-CARBON R	RN72K1J-223JE	1	435032234R1	
R9014	METAL O R	RS1/2WBJ-47	1	443524704T	
[SW TRM]					
F9001A	FUSE HOL	NSCT-1P2031	1	25052133T	
F9001B	FUSE HOL	NSCT-1P2031	1	25052133T	
P1003B	SOCKET AS	NSAS-14P2012	1	2004C291453UL	N
P1006B	SOCKET	HF-116009-004-000	1	25053506	N
P7401A	SOCKET AS	NSAS-14P1984	1	2002E381405UL	N
P7401B	PLUG	NPLG-7P354	1	25055371	
P7402A	SOCKET AS	NSAS-10P2017	1	2002E381009UL	N
P7402B	PLUG	NPLG-5P352	1	25055369	
P7403A	SOCKET AS	NSAS-14P2005	1	2002E381411UL	N
P7403B	PLUG	NPLG-7P354	1	25055371	
P7404A	SOCKET AS	NSAS-22P1983	1	2002E382205UL	N
P7404B	PLUG	NPLG-11P358	1	25055375	
P7405A	SOCKET AS	NSAS-4P1979	1	2002E380405UL	N
P7405B	PLUG	NPLG-2P349	1	25055366	
P9001B	PLUG	NPLG-2P632	1	25055676	
P9003B	PLUG	NPLG-2P631	1	25055675	
P9004A	SOCKET AS	NSAS-2P2001	1	2009991252UL	N
P9005B	PLUG	NPLG-5P119	1	25055135	
P9006A	PLUG	NPLG-5P352	1	25055369	
P9006B	SOCKET AS	NSAS-11P1986	1	2004G291130UL	N
P9007A	SOCKET AS	NSAS-6P2004	1	2004C290640UL	N
P9007B	PLUG	NPLG-3P350	1	25055367	
P9501B	PLUG	NPLG-7P154	1	25055170	
P9502B	PLUG	NPLG-7P154	1	25055170	
P9503A	SOCKET AS	NSAS-8P2019	1	2009991255UL	N
P9503E	PLUG	NPLG-4P151	1	25055167	
P9504A	SOCKET AS	NSAS-8P2019	1	2009991255UL	N
P9504E	PLUG	NPLG-4P151	1	25055167	

P9511B	TRM	NTM-1P243(M1699)	1	25060312	
P9512B	TRM	NTM-1P243(M1699)	1	25060312	
P9515B	TRM	NTM-1P243(M1699)	1	25060312	
P9516B	TRM	NTM-1P243(M1699)	1	25060312	
RL9001	RELAY	NRL-1P10A-DC9-186	1	25065683	!
RL9501	RELAY	NRL-1P10A-DC12-198	1	25065709	!
RL9502	RELAY	NRL-1P10A-DC12-198	1	25065709	!
RL9503	RELAY	NRL-1P10A-DC12-198	1	25065709	!
RL9504	RELAY	NRL-1P10A-DC12-198	1	25065709	!
S7401	R ENCODE	REB162(9X5)PVB20FINB	1	25065716	N
S7402	R ENCODE	EC11B09204	1	25065715	N
S7403	PUSH SW	NPS-111-S681	1	25035718T	
S7404	PUSH SW	NPS-111-S681	1	25035718T	
S7405	PUSH SW	NPS-111-S681	1	25035718T	
S7406	PUSH SW	NPS-111-S681	1	25035718T	
S7407	PUSH SW	NPS-111-S681	1	25035718T	
S7408	PUSH SW	NPS-111-S681	1	25035718T	
S7409	PUSH SW	NPS-111-S681	1	25035718T	
S7410	PUSH SW	NPS-111-S681	1	25035718T	
S7411	PUSH SW	NPS-111-S681	1	25035718T	
S7412	LEVER SW	NLS-112-2124-S073	1	25040100	N

U003	U0030-U00310	BAASP-0987-1B *	1	1B264587-1B
U0030	AUDIO SIGNAL PROCESSOR PC BOARD AS	BAASP-0987-1B	1	1B2645987-1B
U0031	PHONO AMP. Lch PC BOARD AS	BAAF-0988-1B	1	1B2645988-1B
U0032	PHONO AMP. Rch PC BOARD AS	BAAF-0989-1B	1	1B2645989-1B
U0033	BUFFER AMP. Lch PC BOARD AS	BAACC-0990-1B	1	1B2645990-1B
U0034	BUFFER AMP. Rch PC BOARD AS	BAACC-0991-1B	1	1B2645991-1B
U0035	HEADPHONE AMP. PC BOARD AS	BAHP-0992-1B	1	1B2645992-1B
U0036	HEADPHONE JACK PC BOARD AS	BAETC-0993-1B	1	1B2645993-1B
U0037	PRE. AMP. 1st Lch	BACLA-0995-1B	1	1B2645995-1B
U0038	PRE. AMP. 1st Rch	BACLA-0996-1B	1	1B2645996-1B
U0039	PRE. AMP. 2nd Lch	BACLA-0999-1B	1	1B2645999-1B
U00310	PRE. AMP. 2nd Rch	BACLA-1000-1B	1	1B2645000-1B

CIRCUIT NO.	PART NAME	DESCRIPTION	Q'TY	PART NO. (SN)	REMARKS
[SEMI CONDUCTOR]					
D101	ZENER D	UDZS5.1B	1	224550510R2	
D102	ZENER D	UDZS5.1B	1	224550510R2	
D103	ZENER D	UDZS5.1B	1	224550510R2	
D104	ZENER D	UDZS5.1B	1	224550510R2	
D371	ZENER D	UDZS5.6B	1	224550560R2	
D372	ZENER D	UDZS5.6B	1	224550560R2	
D391	ZENER D	UDZS5.6B	1	224550560R2	
D392	ZENER D	UDZS5.6B	1	224550560R2	
D450	ZENER D	UDZS3.6B	1	224550360R2	
D451	C-DIODE	1SS352	1	223234R2	
D451 or	C-DIODE	1SS355	(1)	223269R2	
D451 or	C-DIODE	KDS4148U	(1)	223283R2	
D452	C-DIODE	1SS352	1	223234R2	
D452 or	C-DIODE	1SS355	(1)	223269R2	
D452 or	C-DIODE	KDS4148U	(1)	223283R2	
D453	ZENER D	UDZS3.3B	1	224550330R2	
D491	ZENER D	UDZS5.6B	1	224550560R2	
D492	ZENER D	UDZS5.6B	1	224550560R2	
D511	ZENER D	UDZS5.6B	1	224550560R2	
D512	ZENER D	UDZS5.6B	1	224550560R2	
D5501	ZENER D	UDZS33B	1	224553300R2	
D5502	ZENER D	UDZS33B	1	224553300R2	
D5601	ZENER D	UDZS33B	1	224553300R2	
D5602	ZENER D	UDZS33B	1	224553300R2	
D601	ZENER D	UDZS5.6B	1	224550560R2	
D602	ZENER D	UDZS5.6B	1	224550560R2	
D603	ZENER D	UDZS5.6B	1	224550560R2	
D604	ZENER D	UDZS5.6B	1	224550560R2	
D605	C-DIODE	1SS352	1	223234R2	
D605 or	C-DIODE	1SS355	(1)	223269R2	
D605 or	C-DIODE	KDS4148U	(1)	223283R2	
D701	ZENER D	UDZS5.6B	1	224550560R2	

D702	ZENER D	UDZS5.6B	1	224550560R2
D751	ZENER D	UDZS5.6B	1	224550560R2
D752	ZENER D	UDZS5.6B	1	224550560R2
D801	C-DIODE	1SS352	1	223234R2
D801 or	C-DIODE	1SS355	(1)	223269R2
D801 or	C-DIODE	KDS4148U	(1)	223283R2
D802	C-DIODE	1SS352	1	223234R2
D802 or	C-DIODE	1SS355	(1)	223269R2
D802 or	C-DIODE	KDS4148U	(1)	223283R2
D805	ZENER D	UDZS5.6B	1	224550560R2
D901	DIODE	D3SBA60	1	22380272F
D902	DIODE	D3SBA60	1	22380272F
D903	ZENER D	UDZS15B	1	224551500R2
D904	ZENER D	UDZS15B	1	224551500R2
D921	ZENER D	UDZS7.5B	1	224550750R2
D922	ZENER D	UDZS7.5B	1	224550750R2
Q101	TR	2SA1162-GR	1	2214375R2
Q102	TR	2SA1162-GR	1	2214375R2
Q103	TR	2SC2240-BL(TPE2_F)	1	2211406T
Q104	TR	2SC2240-BL(TPE2_F)	1	2211406T
Q105	TR	2SA970-BL(TPE2_F)	1	2211396T
Q106	TR	2SA970-BL(TPE2_F)	1	2211396T
Q107	TR	2SC2240-BL(TPE2_F)	1	2211406T
Q108	TR	2SC2240-BL(TPE2_F)	1	2211406T
Q109	TR	2SA970-BL(TPE2_F)	1	2211396T
Q110	TR	2SA970-BL(TPE2_F)	1	2211396T
Q111	TR	2SC2712-GR	1	2213145R2
Q112	TR	2SC2712-GR	1	2213145R2
Q113	TR	2SC2240-BL(TPE2_F)	1	2211406T
Q114	TR	2SC2240-BL(TPE2_F)	1	2211406T
Q115	TR	2SA970-BL(TPE2_F)	1	2211396T
Q116	TR	2SA970-BL(TPE2_F)	1	2211396T
Q117	TR	2SC2240-BL(TPE2_F)	1	2211406T
Q118	TR	2SC2240-BL(TPE2_F)	1	2211406T
Q119	TR	2SA970-BL(TPE2_F)	1	2211396T

Q120	TR	2SA970-BL(TPE2_F)	1	2211396T
Q121	TR	2SA970-BL(TPE2_F)	1	2211396T
Q122	TR	2SA970-BL(TPE2_F)	1	2211396T
Q123	TR	2SC2240-BL(TPE2_F)	1	2211406T
Q124	TR	2SC2240-BL(TPE2_F)	1	2211406T
Q125	TR	2SA949-Y(TPE6_F)	1	2211354T
Q126	TR	2SA949-Y(TPE6_F)	1	2211354T
Q127	TR	2SC2229-Y(TPE6_F)	1	2211634T
Q128	TR	2SC2229-Y(TPE6_F)	1	2211634T
Q129	TR	2SC2240-BL(TPE2_F)	1	2211406T
Q130	TR	2SC2240-BL(TPE2_F)	1	2211406T
Q131	TR	2SA970-BL(TPE2_F)	1	2211396T
Q132	TR	2SA970-BL(TPE2_F)	1	2211396T
Q133	TR	2SC2229-Y(TPE6_F)	1	2211634T
Q134	TR	2SC2229-Y(TPE6_F)	1	2211634T
Q135	TR	2SA949-Y(TPE6_F)	1	2211354T
Q136	TR	2SA949-Y(TPE6_F)	1	2211354T
Q301	TR	RN1441	1	2215410R2
Q302	TR	RN1441	1	2215410R2
Q305	IC	NE5532APSR	1	22242283R2
Q350	IC	TC9163CFG(EL)	1	22242100R2
Q351	IC	TC9163CFG(EL)	1	22242100R2
Q371	TR	2SA1312-GR(TE85L_F)	1	2216835R2
Q372	TR	2SC3324-GR(TE85L_F)	1	2216825R2
Q373	TR	2SA1312-GR(TE85L_F)	1	2216835R2
Q374	TR	2SC3324-GR(TE85L_F)	1	2216825R2
Q375	TR	2SC2229-Y(TPE6_F)	1	2211634T
Q376	TR	2SA949-Y(TPE6_F)	1	2211354T
Q391	TR	2SA1312-GR(TE85L_F)	1	2216835R2
Q392	TR	2SC3324-GR(TE85L_F)	1	2216825R2
Q393	TR	2SA1312-GR(TE85L_F)	1	2216835R2
Q394	TR	2SC3324-GR(TE85L_F)	1	2216825R2
Q395	TR	2SC2229-Y(TPE6_F)	1	2211634T
Q396	TR	2SA949-Y(TPE6_F)	1	2211354T
Q420	IC	TC94A81UG	1	22242685R3

Q450	IC	M61540FP	1	22242497R2
Q491	TR	2SA1312-GR(TE85L_F)	1	2216835R2
Q492	TR	2SC3324-GR(TE85L_F)	1	2216825R2
Q493	TR	2SA1312-GR(TE85L_F)	1	2216835R2
Q494	TR	2SC3324-GR(TE85L_F)	1	2216825R2
Q495	TR	2SC2229-Y(TPE6_F)	1	2211634T
Q496	TR	2SA949-Y(TPE6_F)	1	2211354T
Q511	TR	2SA1312-GR(TE85L_F)	1	2216835R2
Q512	TR	2SC3324-GR(TE85L_F)	1	2216825R2
Q513	TR	2SA1312-GR(TE85L_F)	1	2216835R2
Q514	TR	2SC3324-GR(TE85L_F)	1	2216825R2
Q515	TR	2SC2229-Y(TPE6_F)	1	2211634T
Q516	TR	2SA949-Y(TPE6_F)	1	2211354T
Q537	TR	RN1441	1	2215410R2
Q538	TR	RN1441	1	2215410R2
Q5501	TR	2SA970-BL(TPE2_F)	1	2211396T
Q5502	TR	2SA970-BL(TPE2_F)	1	2211396T
Q5503	TR	2SC2240-BL(TPE2_F)	1	2211406T
Q5504	TR	2SC2240-BL(TPE2_F)	1	2211406T
Q5505	TR	2SC2240-BL(TPE2_F)	1	2211406T
Q5506	TR	2SC2240-BL(TPE2_F)	1	2211406T
Q5507	TR	2SA970-BL(TPE2_F)	1	2211396T
Q5508	TR	2SA970-BL(TPE2_F)	1	2211396T
Q5509	TR	2SC2240-BL(TPE2_F)	1	2211406T
Q5510	TR	2SC2240-BL(TPE2_F)	1	2211406T
Q5511	TR	2SC2240-BL(TPE2_F)	1	2211406T
Q5512	TR	2SC2240-BL(TPE2_F)	1	2211406T
Q5513	TR	2SA970-BL(TPE2_F)	1	2211396T
Q5514	TR	2SA970-BL(TPE2_F)	1	2211396T
Q5515	TR	2SA970-BL(TPE2_F)	1	2211396T
Q5516	TR	2SA970-BL(TPE2_F)	1	2211396T
Q5517	TR	2SA949-Y(TPE6_F)	1	2211354T
Q5518	TR	2SA949-Y(TPE6_F)	1	2211354T
Q5519	TR	2SC2229-Y(TPE6_F)	1	2211634T
Q5520	TR	2SC2229-Y(TPE6_F)	1	2211634T

Q5601	TR	2SA970-BL(TPE2_F)	1	2211396T
Q5602	TR	2SA970-BL(TPE2_F)	1	2211396T
Q5603	TR	2SC2240-BL(TPE2_F)	1	2211406T
Q5604	TR	2SC2240-BL(TPE2_F)	1	2211406T
Q5605	TR	2SC2240-BL(TPE2_F)	1	2211406T
Q5606	TR	2SC2240-BL(TPE2_F)	1	2211406T
Q5607	TR	2SA970-BL(TPE2_F)	1	2211396T
Q5608	TR	2SA970-BL(TPE2_F)	1	2211396T
Q5609	TR	2SC2240-BL(TPE2_F)	1	2211406T
Q5610	TR	2SC2240-BL(TPE2_F)	1	2211406T
Q5611	TR	2SC2240-BL(TPE2_F)	1	2211406T
Q5612	TR	2SC2240-BL(TPE2_F)	1	2211406T
Q5613	TR	2SA970-BL(TPE2_F)	1	2211396T
Q5614	TR	2SA970-BL(TPE2_F)	1	2211396T
Q5615	TR	2SA970-BL(TPE2_F)	1	2211396T
Q5616	TR	2SA970-BL(TPE2_F)	1	2211396T
Q5621	TR	2SA1360-Y	1	2202094
Q5621A	HEAT SINK	(PD)	1	27160661A
Q5621B	SCREW	3TTB+8B(3BC)	1	838430088GR
Q5622	TR	2SA1360-Y	1	2202094
Q5622A	HEAT SINK	(PD)	1	27160661A
Q5622B	SCREW	3TTB+8B(3BC)	1	838430088GR
Q5623	TR	2SC3423-Y	1	2202104
Q5623A	HEAT SINK	(PD)	1	27160661A
Q5623B	SCREW	3TTB+8B(3BC)	1	838430088GR
Q5624	TR	2SC3423-Y	1	2202104
Q5624A	HEAT SINK	(PD)	1	27160661A
Q5624B	SCREW	3TTB+8B(3BC)	1	838430088GR
Q5625	TR	2SC2712-GR	1	2213145R2
Q5626	TR	2SC2712-GR	1	2213145R2
Q5627	TR	2SA1162-GR	1	2214375R2
Q5628	TR	2SA1162-GR	1	2214375R2
Q5629	TR	2SC3324-GR(TE85L_F)	1	2216825R2
Q5630	TR	2SC3324-GR(TE85L_F)	1	2216825R2
Q5631	TR	2SA1312-GR(TE85L_F)	1	2216835R2

Q5632	TR	2SA1312-GR(TE85L_F)	1	2216835R2
Q602	TR	RN1441	1	2215410R2
Q603	TR	RN1441	1	2215410R2
Q604	TR	RN1402	1	2214470R2
Q604 or	TR	KRC102S	(1)	2216190R2
Q610	TR	2SA1312-GR(TE85L_F)	1	2216835R2
Q611	TR	2SC3324-GR(TE85L_F)	1	2216825R2
Q612	TR	2SA1312-GR(TE85L_F)	1	2216835R2
Q613	TR	2SC3324-GR(TE85L_F)	1	2216825R2
Q614	TR	2SC2229-Y(TPE6_F)	1	2211634T
Q615	TR	2SA949-Y(TPE6_F)	1	2211354T
Q616	TR	2SA1312-GR(TE85L_F)	1	2216835R2
Q617	TR	2SC3324-GR(TE85L_F)	1	2216825R2
Q618	TR	2SA1312-GR(TE85L_F)	1	2216835R2
Q619	TR	2SC3324-GR(TE85L_F)	1	2216825R2
Q620	TR	2SC2229-Y(TPE6_F)	1	2211634T
Q621	TR	2SA949-Y(TPE6_F)	1	2211354T
Q701	TR	2SA1312-GR(TE85L_F)	1	2216835R2
Q702	TR	2SC3324-GR(TE85L_F)	1	2216825R2
Q703	TR	2SC3324-GR(TE85L_F)	1	2216825R2
Q704	TR	2SA1312-GR(TE85L_F)	1	2216835R2
Q705	TR	2SA1312-GR(TE85L_F)	1	2216835R2
Q706	TR	2SC3324-GR(TE85L_F)	1	2216825R2
Q707	TR	2SA1312-GR(TE85L_F)	1	2216835R2
Q708	TR	2SC3324-GR(TE85L_F)	1	2216825R2
Q709	TR	2SC3324-GR(TE85L_F)	1	2216825R2
Q710	TR	2SA1312-GR(TE85L_F)	1	2216835R2
Q713	TR	2SA1200-Y(2LONK,ZE)	1	2217584R2
Q714	TR	2SC2880-Y(2LONK,ZE)	1	2217594R2
Q751	TR	2SA1312-GR(TE85L_F)	1	2216835R2
Q752	TR	2SC3324-GR(TE85L_F)	1	2216825R2
Q753	TR	2SC3324-GR(TE85L_F)	1	2216825R2
Q754	TR	2SA1312-GR(TE85L_F)	1	2216835R2
Q755	TR	2SA1312-GR(TE85L_F)	1	2216835R2
Q756	TR	2SC3324-GR(TE85L_F)	1	2216825R2

Q757	TR	2SA1312-GR(TE85L_F)	1	2216835R2	
Q758	TR	2SC3324-GR(TE85L_F)	1	2216825R2	
Q759	TR	2SC3324-GR(TE85L_F)	1	2216825R2	
Q760	TR	2SA1312-GR(TE85L_F)	1	2216835R2	
Q763	TR	2SA1200-Y(2LONK,ZE)	1	2217584R2	
Q764	TR	2SC2880-Y(2LONK,ZE)	1	2217594R2	
Q801	TR	2SC2235-Y(TPE6_F)	1	2211654T	
Q802	TR	DTA123JKA	1	2214090R2	
Q803	TR	RN2401(TE85L_F)	1	2214520R2	
Q804	TR	RN1401(TE85L_F)	1	2214460R2	
Q901	TR	2SK365-GR	1	2212445T	
Q902	TR	2SK365-GR	1	2212445T	
Q903	TR	2SA1488-Y	1	2203394	
Q903A	HEAT-SINK	HEAT-SINK	1	27160179	
Q903B	SCREW	3P+10FN(3BC)	1	82143010GR	
Q904	TR	2SC3851-Y	1	2203384	
Q904A	HEAT-SINK	HEAT-SINK	1	27160179	
Q904B	SCREW	3P+10FN(3BC)	1	82143010GR	
Q905	TR	2SC1815-GR	1	2211255T	
Q906	TR	2SA1015-GR	1	2211455T	
Q921	TR	2SC2235-Y(TPE6_F)	1	2211654T	
Q922	TR	2SA965-Y(TPE6_F)	1	2211644T	
Q943	TR	2SC2235-Y(TPE6_F)	1	2211654T	
[TRANS COIL]					
L801	CHOKE COIL	LBC2518T100M	1	231364M100R2	
[CAPACITOR]					
C101	ELECT C	CE04W6.3V-47M	1	355724709T	
C102	ELECT C	CE04W6.3V-47M	1	355724709T	
C105	ELECT C	CE04W6.3V-47M	1	355724709T	
C106	ELECT C	CE04W6.3V-47M	1	355724709T	
C107	UTSP C	CE04W50V-22M(UTSP)	1	397582207T	
C108	UTSP C	CE04W50V-22M(UTSP)	1	397582207T	
C113	UMXR C	1HUMXRTF222JE	1	376522224T	
C114	UMXR C	1HUMXRTF222JE	1	376522224T	
C117	ELECT C	CE04W10V-2200M(SMQ)	1	354732226T	N

C118	ELECT C	CE04W10V-2200M(SMQ)	1	354732226T	N
C121	UMXR C	1HUMXRTF562JE	1	376525624T	
C122	UMXR C	1HUMXRTF562JE	1	376525624T	
C123	UMXR C	1HUMXRTF102JE	1	376521024T	
C124	UMXR C	1HUMXRTF102JE	1	376521024T	
C125	UMXR C	1HUMXRTF102JE	1	376521024T	
C126	UMXR C	1HUMXRTF102JE	1	376521024T	
C129	UTSP C	CE04W16V-470M(UTSP)	1	397544717T	
C130	UTSP C	CE04W16V-470M(UTSP)	1	397544717T	
C131	UTSP C	CE04W16V-470M(UTSP)	1	397544717T	
C132	UTSP C	CE04W16V-470M(UTSP)	1	397544717T	
C183	ROB C	CE04W50V-2.2M(ROB)	1	395880227T	
C184	ROB C	CE04W50V-2.2M(ROB)	1	395880227T	
C185	ROB C	CE04W50V-2.2M(ROB)	1	395880227T	
C186	ROB C	CE04W50V-2.2M(ROB)	1	395880227T	
C187	UPZ C	2AUPZTF101JE	1	376331014T	
C188	UPZ C	2AUPZTF101JE	1	376331014T	
C301	UPZ C	2AUPZTF101JE	1	376331014T	
C302	UPZ C	2AUPZTF101JE	1	376331014T	
C303	UPZ C	2AUPZTF101JE	1	376331014T	
C304	UPZ C	2AUPZTF101JE	1	376331014T	
C305	UPZ C	2AUPZTF101JE	1	376331014T	
C306	UPZ C	2AUPZTF101JE	1	376331014T	
C307	UPZ C	2AUPZTF101JE	1	376331014T	
C308	UPZ C	2AUPZTF101JE	1	376331014T	
C309	TF C	ECQ-V50V-104J	1	374721044T	
C310	TF C	ECQ-V50V-104J	1	374721044T	
C313	UTSP C	CE04W25V-47M(UTSP)	1	397554707T	
C314	UTSP C	CE04W25V-47M(UTSP)	1	397554707T	
C315	UTSP C	CE04W50V-10M(UTSP)	1	397581007T	
C316	UTSP C	CE04W50V-10M(UTSP)	1	397581007T	
C317	UPZ C	2AUPZTF101JE	1	376331014T	
C318	UPZ C	2AUPZTF101JE	1	376331014T	
C319	VR C	CE04W35V-330M(VR)	1	394663317T	
C350	UTSP C	CE04W25V-220M(UTSP)	1	397552217T	

C351	UTSP C	CE04W25V-220M(UTSP)	1	397552217T
C371	UTSP C	CE04W25V-47M(UTSP)	1	397554707T
C372	UTSP C	CE04W25V-47M(UTSP)	1	397554707T
C373	ROB C	CE04W25V-47M(ROB)	1	395854707T
C374	ROB C	CE04W25V-47M(ROB)	1	395854707T
C375	ROB C	CE04W25V-47M(ROB)	1	395854707T
C376	ROB C	CE04W25V-47M(ROB)	1	395854707T
C377	VR C	CE04W35V-330M(VR)	1	394663317T
C391	UTSP C	CE04W25V-47M(UTSP)	1	397554707T
C392	UTSP C	CE04W25V-47M(UTSP)	1	397554707T
C393	ROB C	CE04W25V-47M(ROB)	1	395854707T
C394	ROB C	CE04W25V-47M(ROB)	1	395854707T
C395	ROB C	CE04W25V-47M(ROB)	1	395854707T
C396	ROB C	CE04W25V-47M(ROB)	1	395854707T
C397	VR C	CE04W35V-330M(VR)	1	394663317T
C420	UTSP C	CE04W50V-4.7M(UTSP)	1	397580477T
C421	UTSP C	CE04W25V-220M(UTSP)	1	397552217T
C422	UTSP C	CE04W25V-220M(UTSP)	1	397552217T
C423	TF C	ECQ-V50V-104J	1	374721044T
C424	UTSP C	CE04W50V-4.7M(UTSP)	1	397580477T
C450	TF C	ECQ-V50V-333J	1	374723334T
C451	TF C	ECQ-V50V-333J	1	374723334T
C452	TF C	ECQ-V50V-224J	1	374722244T
C453	TF C	ECQ-V50V-473J	1	374724734T
C454	UTSP C	CE04W10V-220M(UTSP)	1	397532217T
C455	UTSP C	CE04W50V-22M(UTSP)	1	397582207T
C456	UTSP C	CE04W50V-22M(UTSP)	1	397582207T
C457	UTSP C	CE04W10V-220M(UTSP)	1	397532217T
C462	TF C	ECQ-V50V-224J	1	374722244T
C463	TF C	ECQ-V50V-473J	1	374724734T
C491	UTSP C	CE04W25V-47M(UTSP)	1	397554707T
C492	UTSP C	CE04W25V-47M(UTSP)	1	397554707T
C493	ROB C	CE04W25V-47M(ROB)	1	395854707T
C494	ROB C	CE04W25V-47M(ROB)	1	395854707T
C495	ROB C	CE04W25V-47M(ROB)	1	395854707T

C496	ROB C	CE04W25V-47M(ROB)	1	395854707T
C497	VR C	CE04W35V-330M(VR)	1	394663317T
C511	UTSP C	CE04W25V-47M(UTSP)	1	397554707T
C512	UTSP C	CE04W25V-47M(UTSP)	1	397554707T
C513	ROB C	CE04W25V-47M(ROB)	1	395854707T
C514	ROB C	CE04W25V-47M(ROB)	1	395854707T
C515	ROB C	CE04W25V-47M(ROB)	1	395854707T
C516	ROB C	CE04W25V-47M(ROB)	1	395854707T
C517	VR C	CE04W35V-330M(VR)	1	394663317T
C531	ROB C	CE04W25V-100M(ROB)	1	395851017T
C532	ROB C	CE04W25V-100M(ROB)	1	395851017T
C533	ROB C	CE04W25V-100M(ROB)	1	395851017T
C534	ROB C	CE04W25V-100M(ROB)	1	395851017T
C539	UPZ C	2AUPZTF101JE	1	376331014T
C540	UPZ C	2AUPZTF101JE	1	376331014T
C541	UTSP C	CE04W63V-100M(UTSP)	1	397571017T
C542	UTSP C	CE04W63V-100M(UTSP)	1	397571017T
C543	UTSP C	CE04W63V-100M(UTSP)	1	397571017T
C544	UTSP C	CE04W63V-100M(UTSP)	1	397571017T
C547	TF C	ECQ-V50V-104J	1	374721044T
C548	TF C	ECQ-V50V-104J	1	374721044T
C549	UPZ C	2AUPZTF101JE	1	376331014T
C550	UPZ C	2AUPZTF101JE	1	376331014T
C5501	TF C	ECQ-V50V-104J	1	374721044T
C5502	TF C	ECQ-V50V-104J	1	374721044T
C5503	TF C	ECQ-V50V-104J	1	374721044T
C5504	TF C	ECQ-V50V-104J	1	374721044T
C5507	UPZ C	2AUPZTF331JE	1	376333314T
C5508	UPZ C	2AUPZTF331JE	1	376333314T
C5517	UTSJ C	CE04W50V-22M(UTSJ)	1	398082207AT
C5518	UTSJ C	CE04W50V-22M(UTSJ)	1	398082207AT
C5601	TF C	ECQ-V50V-104J	1	374721044T
C5602	TF C	ECQ-V50V-104J	1	374721044T
C5603	TF C	ECQ-V50V-104J	1	374721044T
C5604	TF C	ECQ-V50V-104J	1	374721044T

C5607	UPZ C	2AUPZTF221JE	1	376332214T
C5608	UPZ C	2AUPZTF221JE	1	376332214T
C5611	UTSJ C	CE04W50V-22M(UTSJ)	1	398082207AT
C5612	UTSJ C	CE04W50V-22M(UTSJ)	1	398082207AT
C5617	UTSJ C	CE04W50V-22M(UTSJ)	1	398082207AT
C5618	UTSJ C	CE04W50V-22M(UTSJ)	1	398082207AT
C601	ROB C	CE04W25V-47M(ROB)	1	395854707T
C602	ROB C	CE04W25V-47M(ROB)	1	395854707T
C603	UTSP C	CE04W10V-220M(UTSP)	1	397532217T
C604	UTSP C	CE04W10V-220M(UTSP)	1	397532217T
C605	VR C	CE04W35V-330M(VR)	1	394663317T
C606	UTSP C	CE04W25V-47M(UTSP)	1	397554707T
C607	UTSP C	CE04W25V-47M(UTSP)	1	397554707T
C608	VR C	CE04W35V-330M(VR)	1	394663317T
C609	TF C	ECQ-V50V-104J	1	374721044T
C610	TF C	ECQ-V50V-104J	1	374721044T
C611	TF C	ECQ-V50V-104J	1	374721044T
C612	TF C	ECQ-V50V-104J	1	374721044T
C613	UMXR C	1HUMXRTF102JE	1	376521024T
C614	UMXR C	1HUMXRTF102JE	1	376521024T
C615	TF C	ECQ-V50V-104J	1	374721044T
C701	UTSP C	CE04W50V-10M(UTSP)	1	397581007T
C702	UTSP C	CE04W25V-47M(UTSP)	1	397554707T
C703	UTSP C	CE04W25V-47M(UTSP)	1	397554707T
C704	UTSP C	CE04W50V-10M(UTSP)	1	397581007T
C708	UTSP C	CE04W10V-220M(UTSP)	1	397532217T
C709	TF C	ECQ-V50V-104J	1	374721044T
C710	TF C	ECQ-V50V-104J	1	374721044T
C751	UTSP C	CE04W50V-10M(UTSP)	1	397581007T
C752	UTSP C	CE04W25V-47M(UTSP)	1	397554707T
C753	UTSP C	CE04W25V-47M(UTSP)	1	397554707T
C754	UTSP C	CE04W50V-10M(UTSP)	1	397581007T
C758	UTSP C	CE04W10V-220M(UTSP)	1	397532217T
C759	TF C	ECQ-V50V-104J	1	374721044T
C760	TF C	ECQ-V50V-104J	1	374721044T

C801	UTSP C	CE04W25V-47M(UTSP)	1	397554707T	
C802	VR C	CE04W6.3V-470M(VR)	1	394624717T	
C803	VR C	CE04W6.3V-470M(VR)	1	394624717T	
C804	TF C	ECQ-V50V-104J	1	374721044T	
C901	TF C	ECQ-V50V-104J	1	374721044T	
C902	TF C	ECQ-V50V-104J	1	374721044T	
C903	TF C	ECQ-V50V-104J	1	374721044T	
C904	TF C	ECQ-V50V-104J	1	374721044T	
C905	ELECT C	CE69W35V-4700M	1	3504477	
C906	ELECT C	CE69W35V-4700M	1	3504477	
C907	UTSP C	CE04W25V-100M(UTSP)	1	397551017T	
C908	UTSP C	CE04W25V-100M(UTSP)	1	397551017T	
C912	UTSP C	CE04W25V-100M(UTSP)	1	397551017T	
C913	UTSP C	CE04W25V-100M(UTSP)	1	397551017T	
C921	UTSP C	CE04W50V-10M(UTSP)	1	397581007T	
C922	UTSP C	CE04W50V-10M(UTSP)	1	397581007T	
C923	UTSP C	CE04W50V 47M(UTSP)	1	397584707T	
C924	UTSP C	CE04W50V 47M(UTSP)	1	397584707T	
C925	UTSP C	CE04W25V-220M(UTSP)	1	397552217T	
C926	UTSP C	CE04W25V-220M(UTSP)	1	397552217T	
C943	UTSP C	CE04W25V-220M(UTSP)	1	397552217T	
C944	UTSP C	CE04W50V-10M(UTSP)	1	397581007T	
[RESISTOR]					
R101	C-CARBON R	RN72K1J-000JE	1	435030004R1	
R102	C-CARBON R	RN72K1J-000JE	1	435030004R1	
R103	C-CARBON R	RN72K1J-223JE	1	435032234R1	
R104	C-CARBON R	RN72K1J-223JE	1	435032234R1	
R105	C-CARBON R	RN72K1J-223JE	1	435032234R1	
R106	C-CARBON R	RN72K1J-223JE	1	435032234R1	
R107	C-CARBON R	RN72K1J-473FE	1	435034732R1	
R108	C-CARBON R	RN72K1J-473FE	1	435034732R1	
R109	C-CARBON R	RN72K1J-392JE	1	435033924R1	
R110	C-CARBON R	RN72K1J-392JE	1	435033924R1	
R111	RESISTOR	RN731JTTD33R0F100	1	4000271R1	N
R112	RESISTOR	RN731JTTD33R0F100	1	4000271R1	N

R113	RESISTOR	RN731JTTD33R0F100	1	4000271R1	N
R114	RESISTOR	RN731JTTD33R0F100	1	4000271R1	N
R115	C-CARBON R	RN72K1J-392JE	1	435033924R1	
R116	C-CARBON R	RN72K1J-392JE	1	435033924R1	
R117	C-CARBON R	RN72K1J-332JE	1	435033324R1	
R118	C-CARBON R	RN72K1J-332JE	1	435033324R1	
R119	RESISTOR	RN731JTTD33R0F100	1	4000271R1	N
R120	RESISTOR	RN731JTTD33R0F100	1	4000271R1	N
R121	RESISTOR	RN731JTTD33R0F100	1	4000271R1	N
R122	RESISTOR	RN731JTTD33R0F100	1	4000271R1	N
R123	C-CARBON R	RN72K1J-332JE	1	435033324R1	
R124	C-CARBON R	RN72K1J-332JE	1	435033324R1	
R125	C-CARBON R	RN72K1J-122JE	1	435031224R1	
R126	C-CARBON R	RN72K1J-122JE	1	435031224R1	
R127	C-CARBON R	RN72K1J-122JE	1	435031224R1	
R128	C-CARBON R	RN72K1J-122JE	1	435031224R1	
R129	C-CARBON R	RN72K1J-331JE	1	435033314R1	
R130	C-CARBON R	RN72K1J-331JE	1	435033314R1	
R131	C-CARBON R	RN72K1J-331JE	1	435033314R1	
R132	C-CARBON R	RN72K1J-331JE	1	435033314R1	
R133	C-CARBON R	RN72K1J-102JE	1	435031024R1	
R134	C-CARBON R	RN72K1J-102JE	1	435031024R1	
R135	C-CARBON R	RN72K1J-123JE	1	435031234R1	
R136	C-CARBON R	RN72K1J-123JE	1	435031234R1	
R137	C-CARBON R	RN72K1J-102JE	1	435031024R1	
R138	C-CARBON R	RN72K1J-102JE	1	435031024R1	
R139	C-CARBON R	RN72K1J-220JE	1	435032204R1	
R140	C-CARBON R	RN72K1J-220JE	1	435032204R1	
R141	C-CARBON R	RN72K1J-220JE	1	435032204R1	
R142	C-CARBON R	RN72K1J-220JE	1	435032204R1	
R143	C-CARBON R	RN72K1J-102JE	1	435031024R1	
R144	C-CARBON R	RN72K1J-102JE	1	435031024R1	
R149	METAL R	RNU1/4WCF-33	1	4500340	
R150	METAL R	RNU1/4WCF-33	1	4500340	
R151	C-CARBON R	RN72K1J-152FE	1	435031522R1	

R152	C-CARBON R	RN72K1J-152FE	1	435031522R1
R153	C-CARBON R	RN72K1J-105FE	1	435031052R1
R154	C-CARBON R	RN72K1J-105FE	1	435031052R1
R155	C-CARBON R	RN72K1J-105FE	1	435031052R1
R156	C-CARBON R	RN72K1J-105FE	1	435031052R1
R157	C-CARBON R	RN72K1J-104FE	1	435031042R1
R158	C-CARBON R	RN72K1J-104FE	1	435031042R1
R159	C-CARBON R	RN72K1J-334FE	1	435033342R1
R160	C-CARBON R	RN72K1J-334FE	1	435033342R1
R161	C-CARBON R	RN72K1J-473FE	1	435034732R1
R162	C-CARBON R	RN72K1J-473FE	1	435034732R1
R163	C-CARBON R	RN72K1J-000JE	1	435030004R1
R164	C-CARBON R	RN72K1J-000JE	1	435030004R1
R165	C-CARBON R	RN72K2E-220JE	1	435222204R1
R166	C-CARBON R	RN72K2E-220JE	1	435222204R1
R167	C-CARBON R	RN72K2E-220JE	1	435222204R1
R168	C-CARBON R	RN72K2E-220JE	1	435222204R1
R169	C-CARBON R	RN72K1J-474JE	1	435034744R1
R170	C-CARBON R	RN72K1J-474JE	1	435034744R1
R181	METAL R	RNU1/4WCF-10	1	4500337T
R182	METAL R	RNU1/4WCF-10	1	4500337T
R183	METAL R	RNU1/4WCF-47K	1	4500335T
R184	METAL R	RNU1/4WCF-47K	1	4500335T
R185	METAL R	RNU1/4WCF-100	1	4500336T
R186	METAL R	RNU1/4WCF-100	1	4500336T
R187	METAL R	RNU1/4WCF-3.3K	1	4500323T
R188	METAL R	RNU1/4WCF-3.3K	1	4500323T
R189	C-CARBON R	RN72K1J-224JE	1	435032244R1
R190	C-CARBON R	RN72K1J-224JE	1	435032244R1
R191	C-CARBON R	RN72K1J-000JE	1	435030004R1
R192	C-CARBON R	RN72K1J-000JE	1	435030004R1
R301	C-CARBON R	RN72K1J-101JE	1	435031014R1
R302	C-CARBON R	RN72K1J-101JE	1	435031014R1
R303	C-CARBON R	RN72K1J-224JE	1	435032244R1
R304	C-CARBON R	RN72K1J-224JE	1	435032244R1

R305	C-CARBON R	RN72K1J-101JE	1	435031014R1	
R306	C-CARBON R	RN72K1J-101JE	1	435031014R1	
R307	C-CARBON R	RN72K1J-224JE	1	435032244R1	
R308	C-CARBON R	RN72K1J-224JE	1	435032244R1	
R309	C-CARBON R	RN72K1J-101JE	1	435031014R1	
R310	C-CARBON R	RN72K1J-101JE	1	435031014R1	
R311	C-CARBON R	RN72K1J-224JE	1	435032244R1	
R312	C-CARBON R	RN72K1J-224JE	1	435032244R1	
R313	C-CARBON R	RN72K1J-101JE	1	435031014R1	
R314	C-CARBON R	RN72K1J-101JE	1	435031014R1	
R315	C-CARBON R	RN72K1J-104JE	1	435031044R1	
R316	C-CARBON R	RN72K1J-104JE	1	435031044R1	
R317	C-CARBON R	RN72K1J-331JE	1	435033314R1	
R318	C-CARBON R	RN72K1J-331JE	1	435033314R1	
R319	C-CARBON R	RN72K1J-102JE	1	435031024R1	
R320	C-CARBON R	RN72K1J-102JE	1	435031024R1	
R323	C-CARBON R	RN72K1J-104JE	1	435031044R1	
R324	C-CARBON R	RN72K1J-104JE	1	435031044R1	
R325	C-CARBON R	RN72K1J-473JE	1	435034734R1	
R326	C-CARBON R	RN72K1J-473JE	1	435034734R1	
R327	C-CARBON R	RN72K1J-152JE	1	435031524R1	
R328	C-CARBON R	RN72K1J-152JE	1	435031524R1	
R329	NF CARBON R	R25J-6.8	1	415470684T	N
R330	NF CARBON R	R25J-6.8	1	415470684T	N
R331	C-CARBON R	RN72K1J-101JE	1	435031014R1	
R332	C-CARBON R	RN72K1J-101JE	1	435031014R1	
R333	C-CARBON R	RN72K1J-224JE	1	435032244R1	
R334	C-CARBON R	RN72K1J-224JE	1	435032244R1	
R335	C-CARBON R	RN72K1J-331JE	1	435033314R1	
R336	C-CARBON R	RN72K1J-331JE	1	435033314R1	
R350	NF CARBON R	R25J-6.8	1	415470684T	N
R351	NF CARBON R	R25J-6.8	1	415470684T	N
R352	C-CARBON R	RN72K1J-102JE	1	435031024R1	
R353	C-CARBON R	RN72K1J-102JE	1	435031024R1	
R354	C-CARBON R	RN72K1J-102JE	1	435031024R1	

R355	C-CARBON R	RN72K1J-102JE	1	435031024R1	
R356	C-CARBON R	RN72K1J-102JE	1	435031024R1	
R357	C-CARBON R	RN72K1J-102JE	1	435031024R1	
R370	C-CARBON R	RN72K1J-000JE	1	435030004R1	
R371	C-CARBON R	RN72K1J-223JE	1	435032234R1	
R372	C-CARBON R	RN72K1J-223JE	1	435032234R1	
R373	C-CARBON R	RN72K1J-332FE	1	435033322R1	
R374	C-CARBON R	RN72K1J-332FE	1	435033322R1	
R375	C-CARBON R	RN72K1J-221FE	1	435032212R1	
R376	C-CARBON R	RN72K1J-221FE	1	435032212R1	
R377	C-CARBON R	RN72K1J-220FE	1	435032202R1	
R378	C-CARBON R	RN72K1J-220FE	1	435032202R1	
R379	C-CARBON R	RN72K1J-104JE	1	435031044R1	
R380	C-CARBON R	RN72K1J-104JE	1	435031044R1	
R381	NF CARBON R	R25J-6.8	1	415470684T	N
R382	NF CARBON R	R25J-6.8	1	415470684T	N
R383	C-CARBON R	RN72K1J-104JE	1	435031044R1	
R384	C-CARBON R	RN72K1J-104JE	1	435031044R1	
R390	C-CARBON R	RN72K1J-000JE	1	435030004R1	
R391	C-CARBON R	RN72K1J-223JE	1	435032234R1	
R392	C-CARBON R	RN72K1J-223JE	1	435032234R1	
R393	C-CARBON R	RN72K1J-332FE	1	435033322R1	
R394	C-CARBON R	RN72K1J-332FE	1	435033322R1	
R395	C-CARBON R	RN72K1J-221FE	1	435032212R1	
R396	C-CARBON R	RN72K1J-221FE	1	435032212R1	
R397	C-CARBON R	RN72K1J-220FE	1	435032202R1	
R398	C-CARBON R	RN72K1J-220FE	1	435032202R1	
R399	C-CARBON R	RN72K1J-104JE	1	435031044R1	
R400	C-CARBON R	RN72K1J-104JE	1	435031044R1	
R401	NF CARBON R	R25J-6.8	1	415470684T	N
R402	NF CARBON R	R25J-6.8	1	415470684T	N
R420	C-CARBON R	RN72K1J-224JE	1	435032244R1	
R422	NF CARBON R	R25J-6.8	1	415470684T	N
R423	C-CARBON R	RN72K1J-102JE	1	435031024R1	
R424	C-CARBON R	RN72K1J-102JE	1	435031024R1	

R425	C-CARBON R	RN72K1J-102JE	1	435031024R1	
R426	C-CARBON R	RN72K1J-103JE	1	435031034R1	
R427	C-CARBON R	RN72K1J-683JE	1	435036834R1	
R428	NF CARBON R	R25J-6.8	1	415470684T	N
R430	C-CARBON R	RN72K1J-224JE	1	435032244R1	
R450	C-CARBON R	RN72K1J-471JE	1	435034714R1	
R451	C-CARBON R	RN72K1J-471JE	1	435034714R1	
R452	C-CARBON R	RN72K1J-472JE	1	435034724R1	
R453	C-CARBON R	RN72K1J-102JE	1	435031024R1	
R454	C-CARBON R	RN72K1J-102JE	1	435031024R1	
R455	METAL O R	RS1WBJ-470	1	443624714T	
R456	C-CARBON R	RN72K1J-102JE	1	435031024R1	
R457	C-CARBON R	RN72K1J-102JE	1	435031024R1	
R458	C-CARBON R	RN72K1J-000JE	1	435030004R1	
R459	C-CARBON R	RN72K1J-000JE	1	435030004R1	
R462	C-CARBON R	RN72K1J-472JE	1	435034724R1	
R463	C-CARBON R	RN72K1J-103JE	1	435031034R1	
R489	C-CARBON R	RN72K1J-224JE	1	435032244R1	
R490	C-CARBON R	RN72K1J-000JE	1	435030004R1	
R491	C-CARBON R	RN72K1J-223JE	1	435032234R1	
R492	C-CARBON R	RN72K1J-223JE	1	435032234R1	
R493	C-CARBON R	RN72K1J-332FE	1	435033322R1	
R494	C-CARBON R	RN72K1J-332FE	1	435033322R1	
R495	C-CARBON R	RN72K1J-221FE	1	435032212R1	
R496	C-CARBON R	RN72K1J-221FE	1	435032212R1	
R497	C-CARBON R	RN72K1J-220FE	1	435032202R1	
R498	C-CARBON R	RN72K1J-220FE	1	435032202R1	
R499	C-CARBON R	RN72K1J-104JE	1	435031044R1	
R501	NF CARBON R	R25J-6.8	1	415470684T	N
R502	NF CARBON R	R25J-6.8	1	415470684T	N
R503	C-CARBON R	RN72K1J-000JE	1	435030004R1	
R509	C-CARBON R	RN72K1J-224JE	1	435032244R1	
R510	C-CARBON R	RN72K1J-000JE	1	435030004R1	
R511	C-CARBON R	RN72K1J-223JE	1	435032234R1	
R512	C-CARBON R	RN72K1J-223JE	1	435032234R1	

R513	C-CARBON R	RN72K1J-332FE	1	435033322R1	
R514	C-CARBON R	RN72K1J-332FE	1	435033322R1	
R515	C-CARBON R	RN72K1J-221FE	1	435032212R1	
R516	C-CARBON R	RN72K1J-221FE	1	435032212R1	
R517	C-CARBON R	RN72K1J-220FE	1	435032202R1	
R518	C-CARBON R	RN72K1J-220FE	1	435032202R1	
R519	C-CARBON R	RN72K1J-104JE	1	435031044R1	
R521	NF CARBON R	R25J-6.8	1	415470684T	N
R522	NF CARBON R	R25J-6.8	1	415470684T	N
R523	C-CARBON R	RN72K1J-000JE	1	435030004R1	
R529	C-CARBON R	RN72K1J-101JE	1	435031014R1	
R530	C-CARBON R	RN72K1J-101JE	1	435031014R1	
R531	C-CARBON R	RN72K1J-000JE	1	435030004R1	
R532	C-CARBON R	RN72K1J-000JE	1	435030004R1	
R537	C-CARBON R	RN72K1J-104JE	1	435031044R1	
R538	C-CARBON R	RN72K1J-104JE	1	435031044R1	
R539	C-CARBON R	RN72K1J-104JE	1	435031044R1	
R540	C-CARBON R	RN72K1J-104JE	1	435031044R1	
R541	NF CARBON R	R25J-100	1	415471014T	
R542	NF CARBON R	R25J-100	1	415471014T	
R543	NF CARBON R	R25J-100	1	415471014T	
R544	NF CARBON R	R25J-100	1	415471014T	
R545	C-CARBON R	RN72K1J-101JE	1	435031014R1	
R546	C-CARBON R	RN72K1J-101JE	1	435031014R1	
R549	C-CARBON R	RN72K1J-102JE	1	435031024R1	
R550	C-CARBON R	RN72K1J-102JE	1	435031024R1	
R5501	CARBON R	R16J-1.5K	1	417341524T	
R5502	CARBON R	R16J-1.5K	1	417341524T	
R5503	CARBON R	R16J-820	1	417348214T	
R5504	CARBON R	R16J-820	1	417348214T	
R5505	CARBON R	R16J-820	1	417348214T	
R5506	CARBON R	R16J-820	1	417348214T	
R551	C-CARBON R	RN72K1J-224JE	1	435032244R1	
R5511	CARBON R	R16J-47	1	417344704T	
R5512	CARBON R	R16J-47	1	417344704T	

R5513	CARBON R	R16J-330	1	417343314T
R5514	CARBON R	R16J-330	1	417343314T
R5515	CARBON R	R16J-330	1	417343314T
R5516	CARBON R	R16J-330	1	417343314T
R5517	CARBON R	R16J-10K	1	417341034T
R5518	CARBON R	R16J-10K	1	417341034T
R5519	CARBON R	R16J-15K	1	417341534T
R552	C-CARBON R	RN72K1J-224JE	1	435032244R1
R5520	CARBON R	R16J-15K	1	417341534T
R5521	TRIM R	N06HR1KBC	1	5210389T
R5522	TRIM R	N06HR1KBC	1	5210389T
R5523	CARBON R	R16J-6.8K	1	417346824T
R5524	CARBON R	R16J-6.8K	1	417346824T
R5525	CARBON R	R16J-1	1	417340104T
R5526	CARBON R	R16J-1	1	417340104T
R5527	CARBON R	R16J-5.6K	1	417345624T
R5528	CARBON R	R16J-5.6K	1	417345624T
R5529	CARBON R	R16J-100	1	417341014T
R553	C-CARBON R	RN72K1J-101JE	1	435031014R1
R5530	CARBON R	R16J-100	1	417341014T
R5531	CARBON R	R16J-82K	1	417348234T
R5532	CARBON R	R16J-82K	1	417348234T
R5533	CARBON R	R16J-47K	1	417344734T
R5534	CARBON R	R16J-47K	1	417344734T
R5535	CARBON R	R16J-15K	1	417341534T
R5536	CARBON R	R16J-15K	1	417341534T
R5537	CARBON R	R16J-100	1	417341014T
R5538	CARBON R	R16J-100	1	417341014T
R5539	CARBON R	R16J-1.5K	1	417341524T
R554	C-CARBON R	RN72K1J-101JE	1	435031014R1
R5540	CARBON R	R16J-1.5K	1	417341524T
R5541	CARBON R	R16J-12K	1	417341234T
R5542	CARBON R	R16J-12K	1	417341234T
R5543	CARBON R	R16J-12K	1	417341234T
R5544	CARBON R	R16J-12K	1	417341234T

R5545	CARBON R	R16J-10K	1	417341034T
R5546	CARBON R	R16J-10K	1	417341034T
R555	C-CARBON R	RN72K1J-101JE	1	435031014R1
R5553	CARBON R	R16J-10K	1	417341034T
R5554	CARBON R	R16J-10K	1	417341034T
R5555	CARBON R	R16J-12K	1	417341234T
R5556	CARBON R	R16J-12K	1	417341234T
R5557	CARBON R	R16J-12K	1	417341234T
R5558	CARBON R	R16J-12K	1	417341234T
R556	C-CARBON R	RN72K1J-101JE	1	435031014R1
R5601	CARBON R	R16J-1.5K	1	417341524T
R5602	CARBON R	R16J-1.5K	1	417341524T
R5603	CARBON R	R16J-1K	1	417341024T
R5604	CARBON R	R16J-1K	1	417341024T
R5605	CARBON R	R16J-1K	1	417341024T
R5606	CARBON R	R16J-1K	1	417341024T
R5607	METAL O R	RS1/2WBJ-10K	1	443521034T
R5608	METAL O R	RS1/2WBJ-10K	1	443521034T
R5609	METAL O R	RS1/2WBJ-10K	1	443521034T
R5610	METAL O R	RS1/2WBJ-10K	1	443521034T
R5611	CARBON R	R16J-47	1	417344704T
R5612	CARBON R	R16J-47	1	417344704T
R5613	CARBON R	R16J-330	1	417343314T
R5614	CARBON R	R16J-330	1	417343314T
R5615	CARBON R	R16J-330	1	417343314T
R5616	CARBON R	R16J-330	1	417343314T
R5617	CARBON R	R16J-10K	1	417341034T
R5618	CARBON R	R16J-10K	1	417341034T
R5619	CARBON R	R16J-15K	1	417341534T
R5620	CARBON R	R16J-15K	1	417341534T
R5621	TRIM R	N06HR1KBB	1	5211401T
R5622	TRIM R	N06HR1KBB	1	5211401T
R5623	CARBON R	R16J-5.6K	1	417345624T
R5624	CARBON R	R16J-5.6K	1	417345624T
R5625	CARBON R	R16J-470	1	417344714T

R5626	CARBON R	R16J-470	1	417344714T
R5627	CARBON R	R16J-5.6K	1	417345624T
R5628	CARBON R	R16J-5.6K	1	417345624T
R5629	CARBON R	R16J-100	1	417341014T
R5630	CARBON R	R16J-100	1	417341014T
R5635	CARBON R	R16J-15K	1	417341534T
R5636	CARBON R	R16J-15K	1	417341534T
R5637	CARBON R	R16J-100	1	417341014T
R5638	CARBON R	R16J-100	1	417341014T
R5639	CARBON R	R16J-1.5K	1	417341524T
R5640	CARBON R	R16J-1.5K	1	417341524T
R5661	C-CARBON R	RN72K1J-104JE	1	435031044R1
R5662	C-CARBON R	RN72K1J-104JE	1	435031044R1
R5663	C-CARBON R	RN72K1J-103JE	1	435031034R1
R5664	C-CARBON R	RN72K1J-103JE	1	435031034R1
R5665	CARBON R	R16J-12K	1	417341234T
R5666	CARBON R	R16J-12K	1	417341234T
R5667	CARBON R	R16J-12K	1	417341234T
R5668	CARBON R	R16J-12K	1	417341234T
R5669	CARBON R	R16J-10K	1	417341034T
R5670	CARBON R	R16J-10K	1	417341034T
R5671	CARBON R	R16J-10K	1	417341034T
R5672	CARBON R	R16J-10K	1	417341034T
R5673	CARBON R	R16J-2.2K	1	417342224T
R5674	CARBON R	R16J-2.2K	1	417342224T
R5675	CARBON R	R16J-2.2K	1	417342224T
R5676	CARBON R	R16J-2.2K	1	417342224T
R601	C-CARBON R	RN72K1J-101JE	1	435031014R1
R602	C-CARBON R	RN72K1J-223JE	1	435032234R1
R603	C-CARBON R	RN72K1J-223JE	1	435032234R1
R604	C-CARBON R	RN72K1J-332JE	1	435033324R1
R605	C-CARBON R	RN72K1J-332JE	1	435033324R1
R606	C-CARBON R	RN72K1J-221JE	1	435032214R1
R607	C-CARBON R	RN72K1J-221JE	1	435032214R1
R608	C-CARBON R	RN72K2E-220JE	1	435222204R1

R609	C-CARBON R	RN72K2E-220JE	1	435222204R1	
R610	C-CARBON R	RN72K1J-224JE	1	435032244R1	
R611	METAL O R	RS1/2WBJ-47	1	443524704T	
R612	METAL O R	RS1/2WBJ-47	1	443524704T	
R613	C-CARBON R	RN72K1J-102JE	1	435031024R1	
R614	C-CARBON R	RN72K1J-102JE	1	435031024R1	
R615	NF CARBON R	R25J-6.8	1	415470684T	N
R616	NF CARBON R	R25J-6.8	1	415470684T	N
R617	C-CARBON R	RN72K1J-000JE	1	435030004R1	
R618	C-CARBON R	RN72K1J-101JE	1	435031014R1	
R619	C-CARBON R	RN72K1J-223JE	1	435032234R1	
R620	C-CARBON R	RN72K1J-223JE	1	435032234R1	
R621	C-CARBON R	RN72K1J-332JE	1	435033324R1	
R622	C-CARBON R	RN72K1J-332JE	1	435033324R1	
R623	C-CARBON R	RN72K1J-221JE	1	435032214R1	
R624	C-CARBON R	RN72K1J-221JE	1	435032214R1	
R625	C-CARBON R	RN72K2E-220JE	1	435222204R1	
R627	C-CARBON R	RN72K2E-220JE	1	435222204R1	
R628	C-CARBON R	RN72K1J-224JE	1	435032244R1	
R629	NF CARBON R	R25J-6.8	1	415470684T	N
R630	NF CARBON R	R25J-6.8	1	415470684T	N
R631	C-CARBON R	RN72K1J-103JE	1	435031034R1	
R632	C-CARBON R	RN72K1J-103JE	1	435031034R1	
R633	C-CARBON R	RN72K1J-103JE	1	435031034R1	
R634	C-CARBON R	RN72K1J-103JE	1	435031034R1	
R701	C-CARBON R	RN72K1J-101JE	1	435031014R1	
R702	C-CARBON R	RN72K1J-332JE	1	435033324R1	
R703	C-CARBON R	RN72K1J-332JE	1	435033324R1	
R704	C-CARBON R	RN72K1J-331JE	1	435033314R1	
R705	C-CARBON R	RN72K1J-331JE	1	435033314R1	
R706	C-CARBON R	RN72K1J-331JE	1	435033314R1	
R707	C-CARBON R	RN72K1J-331JE	1	435033314R1	
R708	C-CARBON R	RN72K1J-821JE	1	435038214R1	
R709	C-CARBON R	RN72K1J-821JE	1	435038214R1	
R712	C-CARBON R	RN72K1J-101JE	1	435031014R1	

R713	C-CARBON R	RN72K1J-101JE	1	435031014R1
R714	C-CARBON R	RN72K1J-392JE	1	435033924R1
R715	C-CARBON R	RN72K1J-392JE	1	435033924R1
R720	C-CARBON R	RN72K1J-103JE	1	435031034R1
R721	C-CARBON R	RN72K1J-222JE	1	435032224R1
R723	C-CARBON R	RN72K1J-223JE	1	435032234R1
R724	C-CARBON R	RN72K1J-223JE	1	435032234R1
R725	C-CARBON R	RN72K2E-220JE	1	435222204R1
R726	C-CARBON R	RN72K2E-220JE	1	435222204R1
R728	C-CARBON R	RN72K1J-104JE	1	435031044R1
R751	C-CARBON R	RN72K1J-101JE	1	435031014R1
R752	C-CARBON R	RN72K1J-332JE	1	435033324R1
R753	C-CARBON R	RN72K1J-332JE	1	435033324R1
R754	C-CARBON R	RN72K1J-331JE	1	435033314R1
R755	C-CARBON R	RN72K1J-331JE	1	435033314R1
R756	C-CARBON R	RN72K1J-331JE	1	435033314R1
R757	C-CARBON R	RN72K1J-331JE	1	435033314R1
R758	C-CARBON R	RN72K1J-821JE	1	435038214R1
R759	C-CARBON R	RN72K1J-821JE	1	435038214R1
R762	C-CARBON R	RN72K1J-101JE	1	435031014R1
R763	C-CARBON R	RN72K1J-101JE	1	435031014R1
R764	C-CARBON R	RN72K1J-392JE	1	435033924R1
R765	C-CARBON R	RN72K1J-392JE	1	435033924R1
R770	C-CARBON R	RN72K1J-103JE	1	435031034R1
R771	C-CARBON R	RN72K1J-222JE	1	435032224R1
R773	C-CARBON R	RN72K1J-223JE	1	435032234R1
R774	C-CARBON R	RN72K1J-223JE	1	435032234R1
R775	C-CARBON R	RN72K2E-220JE	1	435222204R1
R776	C-CARBON R	RN72K2E-220JE	1	435222204R1
R778	C-CARBON R	RN72K1J-104JE	1	435031044R1
R779	C-CARBON R	RN72K1J-104JE	1	435031044R1
R780	C-CARBON R	RN72K1J-104JE	1	435031044R1
R801	METAL O R	RS1WBJ-470	1	443624714T
R802	C-CARBON R	RN72K1J-220JE	1	435032204R1
R803	C-CARBON R	RN72K1J-473JE	1	435034734R1

R804	C-CARBON R	RN72K1J-223JE	1	435032234R1	
R805	C-CARBON R	RN72K1J-000JE	1	435030004R1	
R806	C-CARBON R	RN72K1J-102JE	1	435031024R1	
R807	C-CARBON R	RN72K1J-102JE	1	435031024R1	
R808	C-CARBON R	RN72K1J-104JE	1	435031044R1	
R810	C-CARBON R	RN72K1J-000JE	1	435030004R1	
R814	C-CARBON R	RN72K1J-223JE	1	435032234R1	
R901	METAL R	RNU1/2WCJ-1	1	453530104T	
R902	METAL R	RNU1/2WCJ-1	1	453530104T	
R903	METAL R	RNU1/2WCJ-0.22	1	453532294T	
R904	METAL R	RNU1/2WCJ-0.22	1	453532294T	
R905	C-CARBON R	RN72K1J-331JE	1	435033314R1	
R906	C-CARBON R	RN72K1J-331JE	1	435033314R1	
R921	NF CARBON R	R25J-6.8	1	415470684T	N
R922	NF CARBON R	R25J-6.8	1	415470684T	N
R923	C-CARBON R	RN72K1J-331JE	1	435033314R1	
R924	C-CARBON R	RN72K1J-331JE	1	435033314R1	
R942	C-CARBON R	RN72K1J-224JE	1	435032244R1	
R945	C-CARBON R	RN72K1J-224JE	1	435032244R1	
R946	METAL O R	RS1WBJ-47	1	443624704T	
R947	C-CARBON R	RN72K1J-331JE	1	435033314R1	
[SW TRM]					
E5501A	TRM	NTM-1P243(M1699)	1	25060312	
E5502A	TRM	NTM-1P243(M1699)	1	25060312	
E5503A	TRM	NTM-1P243(M1699)	1	25060312	
E5504A	TRM	NTM-1P243(M1699)	1	25060312	
E5505A	TRM	NTM-1P243(M1699)	1	25060312	
E5506A	TRM	NTM-1P243(M1699)	1	25060312	
E5507A	TRM	NTM-1P243(M1699)	1	25060312	
E5508A	TRM	NTM-1P243(M1699)	1	25060312	
P1007B	SOCKET AS	NSAS-6P1970	1	2002A380615UL	N
P1010B	SOCKET AS	NSAS-30P1968	1	2004C293015UL	N
P101A	PLUG	IMSA-9115B-07	1	25056337	
P101B	SOCKET	IMSA-9115S-07L	1	25052987	
P102A	PLUG	IMSA-9115B-07	1	25056337	

P102B	SOCKET	IMSA-9115S-07L	1	25052987	
P103A	PLUG	IMSA-9115B-05	1	25056335	
P103B	SOCKET	IMSA-9115S-05L	1	25052985	
P104A	PLUG	IMSA-9115B-05	1	25056335	
P104B	SOCKET	IMSA-9115S-05L	1	25052985	
P105	TRM-423(SCREW)	NEJITANSI ST3	1	25060495	
P106	TRM-423(SCREW)	NEJITANSI ST3	1	25060495	
P107	TRM(SCREW)	NEJITANSI M3	1	25065425	
P108	TRM(SCREW)	NEJITANSI M3	1	25065425	
P109	PIN JACK	NPJ-1PDW709	1	25045943	<B MDC, MPP / S MGR, MJJ, N
P110	PIN JACK	NPJ-1PDR710	1	25045944	<B MDC, MPP / S MGR, MJJ, N
P301	PIN JACK	NPJ-2PDWR706	1	25045940A	<B MDC, MPP / S MGR, MJJ, N
P302	PIN JACK	NPJ-2PDWR706	1	25045940A	<B MDC, MPP / S MGR, MJJ, N
P303	PIN JACK	NPJ-2PDWR706	1	25045940A	<B MDC, MPP / S MGR, MJJ, N
P304	PIN JACK	NPJ-2PDWR706	1	25045940A	<B MDC, MPP / S MGR, MJJ, N
P305	PIN JACK	NPJ-2PDWR706	1	25045940A	<B MDC, MPP / S MGR, MJJ, N
P306	PIN JACK	NPJ-2PDWR706	1	25045940A	<B MDC, MPP / S MGR, MJJ, N
P308	TRM-423(SCREW)	NEJITANSI ST3	1	25060495	
P310	RETAINER	(BUS-M)	1	27142271	N
P4901B	SOCKET AS	NSAS-14P2018	1	2004C201415UL	N
P4902B	CRIMP AS	1.8S-SGM-51T-4:BLK100	1	20799195UL	N
P5501A	SOCKET	IMSA-9117S-07D	1	25053404	
P5501B	PLUG	IMSA-9210B-1-07ZA011-PT1	1	25056676	
P5502A	SOCKET	IMSA-9117S-07D	1	25053404	
P5502B	PLUG	IMSA-9210B-1-07ZA011-PT1	1	25056676	
P5503B	PLUG	NPLG-5P133	1	25055149	
P5504B	PLUG	NPLG-5P133	1	25055149	
P5505A	CRIMP AS	1.8S-SGM-51T-4:BLK150	1	20799188UL	N
P5506A	CRIMP AS	1.8S-SGM-51T-4:BLK150	1	20799188UL	N
P5601A	SOCKET	IMSA-9117S-11D	1	25053402	
P5602A	SOCKET	IMSA-9117S-11D	1	25053402	
P601A	PLUG	NPLG-13P141	1	25055157	
P601B	SOCKET AS	NSAS-26P2008	1	2004C282645UL	N
P602	ST JACK	MSJ-064-05A SR	1	25045783	
P603A	PLUG	NPLG-5P352	1	25055369	

P603B	SOCKET AS	NSAS-10P1993	1	2004C291011UL	N
P604	TRM-423(SCREW)	NEJITANSI ST3	1	25060495	
P605	TRM	NTM-1P233(M1969)	1	25060302	
P6501A	SOCKET AS	NSAS-6P2016	1	2002A380632UL	N
P6502A	SOCKET AS	NSAS-6P2016	1	2002A380632UL	N
P701B	SOCKET	6065B-07Z055-PT1	1	25053498	N
P702B	SOCKET	6065B-07Z055-PT1	1	25053498	N
P901	PLUG	NPLG-5P119	1	25055135	
RL601	RELAY	NRL-2P2A-DC12-178	1	25065664	
S100	PUSH SW	NPS-142-L675	1	25035712	

U004	MICON, DIGITAL, D/A CONV. PC BOARD AS	BADG-0998-1B	1	1B264598-1B	0	<B MPP / S MPP>
U004	MICON, DIGITAL, D/A CONV. PC BOARD AS	BADG-0998-1D	1	1B264598-1D	N	<B MDC / S MGR, MJJ>

CIRCUIT NO.	PART NAME	DESCRIPTION	Q'TY	PART NO. (SN)	REMARKS
[SEMI CONDUCTOR]					
D1005	C-DIODE	S1NB60-4062	1	22380318R2	
D1006	C-DIODE	1SS352	1	223234R2	
D1006 or	C-DIODE	1SS355	(1)	223269R2	
D1006 or	C-DIODE	MA2J111	(1)	223279R2	
D1006 or	C-DIODE	KDS4148U	(1)	223283R2	
D1017	C-DIODE	1SS352	1	223234R2	
D1017 or	C-DIODE	1SS355	(1)	223269R2	
D1017 or	C-DIODE	MA2J111	(1)	223279R2	
D1017 or	C-DIODE	KDS4148U	(1)	223283R2	
D1018	C-DIODE	1SS352	1	223234R2	
D1018 or	C-DIODE	1SS355	(1)	223269R2	
D1018 or	C-DIODE	MA2J111	(1)	223279R2	
D1018 or	C-DIODE	KDS4148U	(1)	223283R2	
D4001	C-DIODE	1SS352	1	223234R2	
D4001 or	C-DIODE	1SS355	(1)	223269R2	
D4001 or	C-DIODE	MA2J111	(1)	223279R2	
D4001 or	C-DIODE	KDS4148U	(1)	223283R2	
D4002	C-DIODE	1SS352	1	223234R2	

D4002 or	C-DIODE	ISS355	(1)	223269R2	
D4002 or	C-DIODE	MA2J111	(1)	223279R2	
D4002 or	C-DIODE	KDS4148U	(1)	223283R2	
D4701	ZENER D	UDZS5.6B	1	224550560R2	
D4701 or	ZENER D	MAZ8056-M	(1)	224750562R2	
D4702	ZENER D	UDZS5.6B	1	224550560R2	
D4702 or	ZENER D	MAZ8056-M	(1)	224750562R2	
D4703	ZENER D	UDZS5.6B	1	224550560R2	
D4703 or	ZENER D	MAZ8056-M	(1)	224750562R2	
D4704	ZENER D	UDZS5.6B	1	224550560R2	
D4704 or	ZENER D	MAZ8056-M	(1)	224750562R2	
Q1001	IC	TA4805BF(TE16L_NQ)	1	22278005DBR2TO	
Q1012	TR	DTA114YKA	1	2216480R2	
Q1012 or	TR	KRA107S	(1)	2216350R2	
Q1014	TR	DTC114EKA	1	2216250R2	
Q1014 or	TR	KRC102S	(1)	2216190R2	
Q1015	IC	S-812C50AUA-C3E	1	22242240R2	
Q1016	TR	DTC114EKA	1	2216250R2	
Q1016 or	TR	KRC102S	(1)	2216190R2	
Q1017	TR	DTA114YKA	1	2216480R2	
Q1017 or	TR	KRA107S	(1)	2216350R2	
Q1020	IC (MAIN CPU)	R5F364AKNFA (0491)	1	222W0111R304910	
Q1022	IC	R1EX24016ASAS0A	1	22242675R2	
Q1023	IC	NJU7706F27A3	1	22242614R2	
Q1024	IC	S-812C33AUA-C2N	1	22242222R2	
Q1026	IC	BU33TD3WG-TR	1	22242715R2	
Q1027	IC	74HCU04F	1	222740046R2	
Q1030	IC	PCM9211PTR	1	22242703R2	
Q1039	TR	RN2401(TE85L_F)	1	2214520R2	
Q4001	IC	WM8742	1	22242610R2	
Q4002	IC	WM8742	1	22242610R2	
Q4003	IC	CY2305FSXC-1T	1	22242779R2	N
Q4701	TR	2SC3324-GR(TE85L_F)	1	2216825R2	
Q4702	TR	2SC3324-GR(TE85L_F)	1	2216825R2	
Q4703	TR	2SC2712-GR	1	2213145R2	

Q4704	TR	2SC2712-GR	1	2213145R2
Q4705	TR	2SA1312-GR(TE85L_F)	1	2216835R2
Q4706	TR	2SA1312-GR(TE85L_F)	1	2216835R2
Q4707	TR	2SA1312-GR(TE85L_F)	1	2216835R2
Q4708	TR	2SA1312-GR(TE85L_F)	1	2216835R2
Q4709	TR	2SA1162-GR	1	2214375R2
Q4710	TR	2SA1162-GR	1	2214375R2
Q4711	TR	2SC3324-GR(TE85L_F)	1	2216825R2
Q4712	TR	2SC3324-GR(TE85L_F)	1	2216825R2
Q4713	TR	2SC3324-GR(TE85L_F)	1	2216825R2
Q4714	TR	2SC3324-GR(TE85L_F)	1	2216825R2
Q4715	TR	2SC3324-GR(TE85L_F)	1	2216825R2
Q4716	TR	2SC3324-GR(TE85L_F)	1	2216825R2
Q4717	TR	2SA1312-GR(TE85L_F)	1	2216835R2
Q4718	TR	2SA1312-GR(TE85L_F)	1	2216835R2
Q4719	TR	2SA1312-GR(TE85L_F)	1	2216835R2
Q4720	TR	2SA1312-GR(TE85L_F)	1	2216835R2
Q4721	TR	2SC2712-GR	1	2213145R2
Q4722	TR	2SC2712-GR	1	2213145R2
Q4723	TR	2SC3324-GR(TE85L_F)	1	2216825R2
Q4724	TR	2SC3324-GR(TE85L_F)	1	2216825R2
Q4725	TR	2SC3324-GR(TE85L_F)	1	2216825R2
Q4726	TR	2SC3324-GR(TE85L_F)	1	2216825R2
Q4727	TR	2SA1312-GR(TE85L_F)	1	2216835R2
Q4728	TR	2SA1312-GR(TE85L_F)	1	2216835R2
Q4729	TR	2SA1162-GR	1	2214375R2
Q4730	TR	2SA1162-GR	1	2214375R2
Q4901	IC	78M05(NJM78M05FA)	1	222780055JRC
Q4902	IC	78M05(NJM78M05FA)	1	222780055JRC
Q4903	IC	BU33TD3WG-TR	1	22242715R2
Q4904	IC	BU33TD3WG-TR	1	22242715R2
Q4905	IC	BU33TD3WG-TR	1	22242715R2
Q4906	IC	78M05(NJM78M05FA)	1	222780055JRC
[CHASSIS SCREW]				
E4002	RETAINER	(BUS-D)	1	27142272

E4003	RETAINER	(BUS-D)	1	27142272	
[TRANS COIL]					
L1001	CHOKE COIL	LBC2518T470M	1	231364M470R2	
L1011	CHOKE COIL	LBC2518T470M	1	231364M470R2	
L1012	CHOKE COIL	LBC2518T470M	1	231364M470R2	
L1014	CHOKE COIL	LBC2518T470M	1	231364M470R2	
L1018	CHOKE COIL	BLM21PG221SN1	1	230949R2	
L1019	EMIFIL	BK1608LM182-T	1	230958R1	
L1020	EMIFIL	BK1608LM182-T	1	230958R1	
L1021	EMIFIL	BK1608LL680-T	1	2350013R1	
L1022	EMIFIL	BK1608LL680-T	1	2350013R1	
L1028	EMIFIL	BK1608LM182-T	1	230958R1	
L4001	EMIFIL	BK1608LL680-T	1	2350013R1	
L4002	EMIFIL	BK1608LL680-T	1	2350013R1	
X1010	CERA LOCK	CR06000-TG-A0R	1	3010433T	
X1011	CRYSTAL	HC-49S-24.576M	1	3010509T	N
[CAPACITOR]					
C1008	UTSP C	CE04W25V-100M(UTSP)	1	397551017T	
C1009	C-CERA C	CK725F1E-104Z1	1	332161040R1	
C1012	UTSP C	CE04W50V 47M(UTSP)	1	397584707T	
C1013	C-CERA C	CK725F1E-104Z1	1	332161040R1	
C1014	C-CERA C	CK725F1E-104Z1	1	332161040R1	
C1015	VR C	CE04W16V-100M(VR)	1	394641017T	
C1024	TF C	ECQ-V50V-104J	1	374721044T	
C1025	TF C	ECQ-V50V-104J	1	374721044T	
C1026	UTSK C	CE04W25V-2200M(UTSK)	1	398352227S	
C1029	C-CERA C	CK725F1E-104Z1	1	332161040R1	
C1030	C-CERA C	CK725F1E-104Z1	1	332161040R1	
C1032	C-CERA C	CC725CH1H-102J1	1	342101024R1	
C1033	C-CERA C	CC725CH1H-102J1	1	342101024R1	
C1034	C-CERA C	CC725CH1H-102J1	1	342101024R1	
C1037	C-CERA C	CK725F1E-104Z1	1	332161040R1	
C1039	C-CERA C	CC725CH1H-330J1	1	342103304R1	
C1040	UTSP C	CE04W25V-100M(UTSP)	1	397551017T	
C1041	C-CERA C	CC725CH1H-102J1	1	342101024R1	

C1042	C-CERA C	CC725CH1H-102J1	1	342101024R1
C1043	C-CERA C	CC725CH1H-102J1	1	342101024R1
C1044	C-CERA C	CK725F1E-104Z1	1	332161040R1
C1047	C-CERA C	CK725F1E-104Z1	1	332161040R1
C1048	C-CERA C	CK725B0J-106K	1	332091065R2
C1050	UTSP C	CE04W25V-100M(UTSP)	1	397551017T
C1051	C-CERA C	CK725F1E-104Z1	1	332161040R1
C1052	C-CERA C	CC725CH1H-080D1	1	342100802R1
C1053	C-CERA C	CC725CH1H-080D1	1	342100802R1
C1057	TF C	ECQ-V50V-104J	1	374721044T
C1058	C-CERA C	CK725F1E-104Z1	1	332161040R1
C1059	UTSP C	CE04W10V-100M(UTSP)	1	397531017T
C1061	VR C	CE04W16V-100M(VR)	1	394641017T
C1062	TF C	ECQ-V50V-104J	1	374721044T
C1064	C-CERA C	CK725F1E-104Z1	1	332161040R1
C1069	TF C	ECQ-V50V-104J	1	374721044T
C1081	UTSP C	CE04W10V-220M(UTSP)	1	397532217T
C1082	TF C	ECQ-V50V-104J	1	374721044T
C1083	UTSP C	CE04W10V-470M(UTSP)	1	397534717T
C1087	C-CERA C	CC725CH1H-330J1	1	342103304R1
C1088	C-CERA C	CC725CH1H-330J1	1	342103304R1
C1089	C-CERA C	CC725CH1H-221J1	1	342102214R1
C1090	C-CERA C	CK725F1E-104Z1	1	332161040R1
C1095	C-CERA C	CK725B1H-472K1	1	332104725R1
C1097	C-CERA C	CC725CH1H-101J1	1	342101014R1
C1099	C-CERA C	CK725B1H-223K1	1	332102235R1
C1100	C-CERA C	CK725B1H-473K1	1	332104735R1
C1101	C-CERA C	CC725CH1H-220J1	1	342102204R1
C1102	C-CERA C	CC725CH1H-180J1	1	342101804R1
C1113	C-CERA C	CK725F1E-104Z1	1	332161040R1
C1123	UTSP C	CE04W10V-470M(UTSP)	1	397534717T
C1128	C-CERA C	CK725B1C-104K1	1	332121045R1
C1136	C-CERA C	CK725B0J-106K	1	332091065R2
C4003	C-FILM C	50ST104MA13216	1	376721047R2
C4004	C-FILM C	50ST104MA13216	1	376721047R2

C4005	UTSJ C	CE04W50V-47M(UTSJ)	1	398084707AT
C4006	UTSJ C	CE04W50V-47M(UTSJ)	1	398084707AT
C4009	C-FILM C	50ST104MA13216	1	376721047R2
C4010	C-FILM C	50ST104MA13216	1	376721047R2
C4011	UTSJ C	CE04W50V-47M(UTSJ)	1	398084707AT
C4012	UTSJ C	CE04W50V-47M(UTSJ)	1	398084707AT
C4015	UTSP C	CE04W10V-470M(UTSP)	1	397534717T
C4016	UTSP C	CE04W10V-470M(UTSP)	1	397534717T
C4019	C-FILM C	ECHU16V-103J	1	373041034R2
C4020	C-FILM C	ECHU16V-103J	1	373041034R2
C4021	ROB C	CE04W25V-47M(ROB)	1	395854707T
C4022	ROB C	CE04W25V-47M(ROB)	1	395854707T
C4023	ROB C	CE04W25V-47M(ROB)	1	395854707T
C4024	ROB C	CE04W25V-47M(ROB)	1	395854707T
C4025	C-FILM C	ECHU16V-103J	1	373041034R2
C4701	C-FILM C	ECHU50V-681J	1	373026814R2
C4702	C-FILM C	ECHU50V-681J	1	373026814R2
C4703	UTSP C	CE04W50V-22M(UTSP)	1	397582207T
C4704	UTSP C	CE04W50V-22M(UTSP)	1	397582207T
C4705	C-FILM C	ECHU50V-681J	1	373026814R2
C4706	C-FILM C	ECHU50V-681J	1	373026814R2
C4707	C-FILM C	ECHU50V-681J	1	373026814R2
C4708	C-FILM C	ECHU50V-681J	1	373026814R2
C4709	UTSP C	CE04W50V-22M(UTSP)	1	397582207T
C4710	UTSP C	CE04W50V-22M(UTSP)	1	397582207T
C4713	UTSP C	CE04W50V-22M(UTSP)	1	397582207T
C4714	UTSP C	CE04W50V-22M(UTSP)	1	397582207T
C4715	C-FILM C	ECHU50V-332J	1	373023324R2
C4716	C-FILM C	ECHU50V-332J	1	373023324R2
C4901	C-FILM C	50ST104MA13216	1	376721047R2
C4902	C-FILM C	50ST104MA13216	1	376721047R2
C4905	C-FILM C	50ST104MA13216	1	376721047R2
C4906	C-FILM C	50ST104MA13216	1	376721047R2
C4907	UTSP C	CE04W10V-220M(UTSP)	1	397532217T
C4908	UTSP C	CE04W10V-220M(UTSP)	1	397532217T

C4909	UTSP C	CE04W50V-22M(UTSP)	1	397582207T
C4910	UTSP C	CE04W50V-22M(UTSP)	1	397582207T
C4911	UTSP C	CE04W50V-22M(UTSP)	1	397582207T
C4912	UTSP C	CE04W50V-22M(UTSP)	1	397582207T
C4913	C-FILM C	50ST104MA13216	1	376721047R2
C4914	UTSP C	CE04W10V-220M(UTSP)	1	397532217T
C4916	UTSP C	CE04W10V-220M(UTSP)	1	397532217T
[RESISTOR]				
L1003	C-CARBON R	RN72K1J-000JE	1	435030004R1
L1004	C-CARBON R	RN72K1J-000JE	1	435030004R1
R1001	C-CARBON R	RN72K1J-470JE	1	435034704R1
R1002	C-CARBON R	RN72K1J-470JE	1	435034704R1
R1003	C-CARBON R	RN72K1J-470JE	1	435034704R1
R1005	C-CARBON R	RN72K1J-103JE	1	435031034R1
R1007	C-CARBON R	RN72K1J-470JE	1	435034704R1
R1008	C-CARBON R	RN72K1J-470JE	1	435034704R1
R1009	METAL O R	RS1WBJ-33	1	443623304T
R1010	C-CARBON R	RN72K1J-470JE	1	435034704R1
R1011	C-CARBON R	RN72K1J-103JE	1	435031034R1
R1012	C-CARBON R	RN72K1J-473JE	1	435034734R1
R1013	C-CARBON R	RN72K1J-101JE	1	435031014R1
R1014	C-CARBON R	RN72K1J-224JE	1	435032244R1
R1015	C-CARBON R	RN72K1J-103JE	1	435031034R1
R1017	METAL R	RNU1/2WCJ-0.22	1	43532294T
R1022	C-CARBON R	RN72K1J-470JE	1	435034704R1
R1023	C-CARBON R	RN72K1J-101JE	1	435031014R1
R1025	C-CARBON R	RN72K1J-103JE	1	435031034R1
R1026	C-CARBON R	RN72K1J-470JE	1	435034704R1
R1027	C-CARBON R	RN72K1J-470JE	1	435034704R1
R1030	C-CARBON R	RN72K1J-470JE	1	435034704R1
R1031	C-CARBON R	RN72K1J-470JE	1	435034704R1
R1033	C-CARBON R	RN72K1J-470JE	1	435034704R1
R1034	C-CARBON R	RN72K1J-470JE	1	435034704R1
R1035	C-CARBON R	RN72K1J-470JE	1	435034704R1
R1036	C-CARBON R	RN72K1J-470JE	1	435034704R1

R1037	C-CARBON R	RN72K1J-470JE	1	435034704R1
R1038	C-CARBON R	RN72K1J-470JE	1	435034704R1
R1039	C-CARBON R	RN72K1J-470JE	1	435034704R1
R1040	C-CARBON R	RN72K1J-470JE	1	435034704R1
R1042	C-CARBON R	RN72K1J-470JE	1	435034704R1
R1043	C-CARBON R	RN72K1J-470JE	1	435034704R1
R1044	C-CARBON R	RN72K1J-272JE	1	435032724R1
R1045	C-CARBON R	RN72K1J-272JE	1	435032724R1
R1046	C-CARBON R	RN72K1J-272JE	1	435032724R1
R1050	C-CARBON R	RN72K1J-103JE	1	435031034R1
R1051	C-CARBON R	RN72K1J-470JE	1	435034704R1
R1053	C-CARBON R	RN72K1J-470JE	1	435034704R1
R1055	C-CARBON R	RN72K1J-000JE	1	435030004R1
R1057	C-CARBON R	RN72K1J-470JE	1	435034704R1
R1059	C-CARBON R	RN72K1J-470JE	1	435034704R1
R1060	C-CARBON R	RN72K1J-000JE	1	435030004R1
R1066	C-CARBON R	RN72K1J-104JE	1	435031044R1
R1067	C-CARBON R	RN72K1J-470JE	1	435034704R1
R1068	C-CARBON R	RN72K1J-470JE	1	435034704R1
R1069	C-CARBON R	RN72K1J-470JE	1	435034704R1
R1075	C-CARBON R	RN72K1J-470JE	1	435034704R1
R1076	C-CARBON R	RN72K1J-470JE	1	435034704R1
R1077	C-CARBON R	RN72K1J-470JE	1	435034704R1
R1079	C-CARBON R	RN72K1J-470JE	1	435034704R1
R1080	C-CARBON R	RN72K1J-470JE	1	435034704R1
R1081	C-CARBON R	RN72K1J-470JE	1	435034704R1
R1082	C-CARBON R	RN72K1J-470JE	1	435034704R1
R1087	C-CARBON R	RN72K1J-470JE	1	435034704R1
R1088	C-CARBON R	RN72K1J-470JE	1	435034704R1
R1089	C-CARBON R	RN72K1J-470JE	1	435034704R1
R1090	C-CARBON R	RN72K1J-470JE	1	435034704R1
R1091	C-CARBON R	RN72K1J-470JE	1	435034704R1
R1092	C-CARBON R	RN72K1J-470JE	1	435034704R1
R1093	C-CARBON R	RN72K1J-472JE	1	435034724R1
R1094	C-CARBON R	RN72K1J-472JE	1	435034724R1

R1095	C-CARBON R	RN72K1J-104JE	1	435031044R1
R1096	C-CARBON R	RN72K1J-104JE	1	435031044R1
R1099	C-CARBON R	RN72K1J-470JE	1	435034704R1
R1100	C-CARBON R	RN72K1J-470JE	1	435034704R1
R1101	C-CARBON R	RN72K1J-470JE	1	435034704R1
R1102	C-CARBON R	RN72K1J-470JE	1	435034704R1
R1103	C-CARBON R	RN72K1J-470JE	1	435034704R1
R1104	C-CARBON R	RN72K1J-470JE	1	435034704R1
R1105	C-CARBON R	RN72K1J-470JE	1	435034704R1
R1107	C-CARBON R	RN72K1J-470JE	1	435034704R1
R1108	C-CARBON R	RN72K1J-470JE	1	435034704R1
R1109	C-CARBON R	RN72K1J-470JE	1	435034704R1
R1110	C-CARBON R	RN72K1J-470JE	1	435034704R1
R1111	C-CARBON R	RN72K1J-470JE	1	435034704R1
R1112	C-CARBON R	RN72K1J-470JE	1	435034704R1
R1114	C-CARBON R	RN72K1J-470JE	1	435034704R1
R1117	C-CARBON R	RN72K1J-470JE	1	435034704R1
R1118	C-CARBON R	RN72K1J-470JE	1	435034704R1
R1124	C-CARBON R	RN72K1J-473JE	1	435034734R1
R1125	C-CARBON R	RN72K1J-224JE	1	435032244R1
R1127	C-CARBON R	RN72K1J-473JE	1	435034734R1
R1128	C-CARBON R	RN72K1J-154JE	1	435031544R1
R1129	C-CARBON R	RN72K1J-224JE	1	435032244R1
R1130	C-CARBON R	RN72K1J-473JE	1	435034734R1
R1131	C-CARBON R	RN72K1J-222JE	1	435032224R1
R1132	C-CARBON R	RN72K1J-222JE	1	435032224R1
R1133	C-CARBON R	RN72K1J-222JE	1	435032224R1
R1141	C-CARBON R	RN72K1J-103JE	1	435031034R1
R1142	C-CARBON R	RN72K1J-103JE	1	435031034R1
R1143	C-CARBON R	RN72K1J-823JE	1	435038234R1
R1144	C-CARBON R	RN72K1J-823JE	1	435038234R1
R1145	C-CARBON R	RN72K1J-151JE	1	435031514R1
R1146	C-CARBON R	RN72K1J-151JE	1	435031514R1
R1148	C-CARBON R	RN72K1J-151JE	1	435031514R1
R1149	C-CARBON R	RN72K1J-151JE	1	435031514R1

R1152	C-CARBON R	RN72K1J-331JE	1	435033314R1	
R1153	C-CARBON R	RN72K1J-470JE	1	435034704R1	
R1156	C-CARBON R	RN72K1J-331JE	1	435033314R1	
R1157	C-CARBON R	RN72K1J-331JE	1	435033314R1	
R1161	C-CARBON R	RN72K1J-470JE	1	435034704R1	
R1163	C-CARBON R	RN72K1J-470JE	1	435034704R1	
R1169	C-CARBON R	RN72K1J-470JE	1	435034704R1	
R1170	C-CARBON R	RN72K1J-331JE	1	435033314R1	
R1176	C-CARBON R	RN72K1J-331JE	1	435033314R1	
R1179	C-CARBON R	RN72K1J-470JE	1	435034704R1	
R1181	C-CARBON R	RN72K1J-470JE	1	435034704R1	
R1184	C-CARBON R	RN72K1J-331JE	1	435033314R1	
R1187	C-CARBON R	RN72K1J-470JE	1	435034704R1	
R1188	C-CARBON R	RN72K1J-331JE	1	435033314R1	
R1196	C-CARBON R	RN72K1J-470JE	1	435034704R1	
R1198	C-CARBON R	RN72K1J-681JE	1	435036814R1	
R1199	C-CARBON R	RN72K1J-221JE	1	435032214R1	
R1200	C-CARBON R	RN72K1J-000JE	1	435030004R1	
R1201	C-CARBON R	RN72K1J-221JE	1	435032214R1	
R1216	C-CARBON R	RN72K1J-221JE	1	435032214R1	
R1217	C-CARBON R	RN72K1J-470JE	1	435034704R1	
R1220	C-CARBON R	RN72K1J-470JE	1	435034704R1	
R1227	C-CARBON R	RN72K1J-000JE	1	435030004R1	
R1268	C-CARBON R	RN72K1J-000JE	1	435030004R1	
R1269	C-CARBON R	RN72K1J-000JE	1	435030004R1	
R1272	C-CARBON R	RN72K1J-103JE	1	435031034R1	
R1289	C-CARBON R	RN72K1J-102JE	1	435031024R1	
R1290	C-CARBON R	RN72K1J-473JE	1	435034734R1	
R1291	C-CERA C	CK725B1H-102K1	1	332101025R1	
R1292	C-CERA C	CK725B1H-102K1	1	332101025R1	
R1293	METAL O R	RS1/2WBJ-47K	1	443524734T	<B MPP / S MPP>
R1294	C-CARBON R	RN72K1J-473JE	1	435034734R1	<B MDC / S MGR, MJJ>
R1295	C-CARBON R	RN72K1J-473JE	1	435034734R1	<B MPP / S MPP, B MDC / S M
R1298	C-CARBON R	RN72K1J-332JE	1	435033324R1	
R1299	METAL O R	RS1WBJ-33	1	443623304T	

R1301	C-CARBON R	RN72K1J-101JE	1	435031014R1
R1302	C-R NET	RM7LJ473X04	1	43484747304R2
R1303	C-R NET	RM7LJ473X04	1	43484747304R2
R4005	C-CARBON R	RN72K1J-331JE	1	435033314R1
R4006	C-CARBON R	RN72K1J-331JE	1	435033314R1
R4007	C-CARBON R	RN72K1J-331JE	1	435033314R1
R4008	C-CARBON R	RN72K1J-331JE	1	435033314R1
R4009	C-CARBON R	RN72K1J-331JE	1	435033314R1
R4010	C-CARBON R	RN72K1J-331JE	1	435033314R1
R4011	C-CARBON R	RN72K1J-331JE	1	435033314R1
R4012	C-CARBON R	RN72K1J-331JE	1	435033314R1
R4013	C-CARBON R	RN72K1J-331JE	1	435033314R1
R4014	C-CARBON R	RN72K1J-331JE	1	435033314R1
R4015	C-CARBON R	RN72K1J-470JE	1	435034704R1
R4016	C-CARBON R	RN72K1J-470JE	1	435034704R1
R4017	C-CARBON R	RN72K1J-470JE	1	435034704R1
R4018	C-CARBON R	RN72K1J-470JE	1	435034704R1
R4025	C-CARBON R	RN72K1J-222JE	1	435032224R1
R4026	C-CARBON R	RN72K1J-222JE	1	435032224R1
R4029	C-CARBON R	RN72K1J-222JE	1	435032224R1
R4030	C-CARBON R	RN72K1J-222JE	1	435032224R1
R4033	C-CARBON R	RN72K1J-222JE	1	435032224R1
R4034	C-CARBON R	RN72K1J-222JE	1	435032224R1
R4037	C-CARBON R	RN72K1J-222JE	1	435032224R1
R4038	C-CARBON R	RN72K1J-222JE	1	435032224R1
R4039	C-CARBON R	RN72K1J-224JE	1	435032244R1
R4040	C-CARBON R	RN72K1J-224JE	1	435032244R1
R4041	C-CARBON R	RN72K1J-181JE	1	435031814R1
R4042	C-CARBON R	RN72K1J-181JE	1	435031814R1
R4043	C-CARBON R	RN72K1J-470JE	1	435034704R1
R4701	C-CARBON R	RN72K1J-102JE	1	435031024R1
R4702	C-CARBON R	RN72K1J-102JE	1	435031024R1
R4703	C-CARBON R	RN72K1J-122JE	1	435031224R1
R4704	C-CARBON R	RN72K1J-122JE	1	435031224R1
R4707	C-CARBON R	RN72K1J-472JE	1	435034724R1

R4708	C-CARBON R	RN72K1J-472JE	1	435034724R1
R4709	C-CARBON R	RN72K1J-821JE	1	435038214R1
R4710	C-CARBON R	RN72K1J-821JE	1	435038214R1
R4711	C-CARBON R	RN72K1J-101JE	1	435031014R1
R4712	C-CARBON R	RN72K1J-101JE	1	435031014R1
R4713	C-CARBON R	RN72K1J-562JE	1	435035624R1
R4714	C-CARBON R	RN72K1J-562JE	1	435035624R1
R4715	C-CARBON R	RN72K1J-331JE	1	435033314R1
R4716	C-CARBON R	RN72K1J-331JE	1	435033314R1
R4717	C-CARBON R	RN72K1J-331JE	1	435033314R1
R4718	C-CARBON R	RN72K1J-331JE	1	435033314R1
R4719	C-CARBON R	RN72K1J-102JE	1	435031024R1
R4720	C-CARBON R	RN72K1J-102JE	1	435031024R1
R4721	C-CARBON R	RN72K1J-103JE	1	435031034R1
R4722	C-CARBON R	RN72K1J-103JE	1	435031034R1
R4723	C-CARBON R	RN72K1J-152JE	1	435031524R1
R4724	C-CARBON R	RN72K1J-152JE	1	435031524R1
R4725	C-CARBON R	RN72K1J-220JE	1	435032204R1
R4726	C-CARBON R	RN72K1J-220JE	1	435032204R1
R4727	C-CARBON R	RN72K1J-122JE	1	435031224R1
R4728	C-CARBON R	RN72K1J-122JE	1	435031224R1
R4731	C-CARBON R	RN72K1J-561JE	1	435035614R1
R4732	C-CARBON R	RN72K1J-561JE	1	435035614R1
R4733	C-CARBON R	RN72K1J-220JE	1	435032204R1
R4734	C-CARBON R	RN72K1J-220JE	1	435032204R1
R4735	C-CARBON R	RN72K1J-103JE	1	435031034R1
R4736	C-CARBON R	RN72K1J-103JE	1	435031034R1
R4737	C-CARBON R	RN72K1J-331JE	1	435033314R1
R4738	C-CARBON R	RN72K1J-331JE	1	435033314R1
R4739	C-CARBON R	RN72K1J-152JE	1	435031524R1
R4740	C-CARBON R	RN72K1J-152JE	1	435031524R1
R4741	C-CARBON R	RN72K1J-331JE	1	435033314R1
R4742	C-CARBON R	RN72K1J-331JE	1	435033314R1
R4743	C-CARBON R	RN72K1J-562JE	1	435035624R1
R4744	C-CARBON R	RN72K1J-562JE	1	435035624R1

R4745	C-CARBON R	RN72K1J-821JE	1	435038214R1	
R4746	C-CARBON R	RN72K1J-821JE	1	435038214R1	
R4747	C-CARBON R	RN72K1J-472JE	1	435034724R1	
R4748	C-CARBON R	RN72K1J-472JE	1	435034724R1	
R4749	C-CARBON R	RN72K1J-101JE	1	435031014R1	
R4750	C-CARBON R	RN72K1J-101JE	1	435031014R1	
R4751	C-CARBON R	RN72K1J-100JE	1	435031004R1	
R4752	C-CARBON R	RN72K1J-100JE	1	435031004R1	
R4753	C-CARBON R	RN72K1J-101JE	1	435031014R1	
R4754	C-CARBON R	RN72K1J-101JE	1	435031014R1	
R4755	C-CARBON R	RN72K1J-101JE	1	435031014R1	
R4756	C-CARBON R	RN72K1J-101JE	1	435031014R1	
R4901	METAL R	RNU1WCJ-4.7	1	453630474T	
R4902	METAL R	RNU1WCJ-4.7	1	453630474T	
R4903	C-CARBON R	RN72K2E-047JE	1	435220474R1	
R4904	C-CARBON R	RN72K2E-047JE	1	435220474R1	
R4905	METAL O R	RS1WBJ-220	1	443622214T	
R4906	METAL O R	RS1WBJ-220	1	443622214T	
R4907	METAL O R	RS1WBJ-220	1	443622214T	
R4908	METAL O R	RS1WBJ-220	1	443622214T	
R4909	C-CARBON R	RN72K2E-047JE	1	435220474R1	
R4910	METAL O R	RS1WBJ-33	1	443623304T	
[SW TRM]					
P1001A	PLUG	NPLG-5P133	1	25055149	
P1002A	PLUG	NPLG-5P133	1	25055149	
P1003A	PLUG	NPLG-7P135	1	25055151	
P1005A	PLUG	NPLG-2P116	1	25055132	
P1006A	SOCKET	HF-116009-003-000	1	25053505	N
P1007A	PLUG	NPLG-3P131	1	25055147	
P1008	SOCKET	IMSA-9618S-09A	1	25053334R2	
P1010A	PLUG	NPLG-15P143	1	25055159	
P1013	PIN JACK	NPJ-1PDO599	1	25045819	
P1014	PIN JACK	NPJ-1PDO599	1	25045819	
P1018	PHT CP	JSR1165-001recieving	1	24120143	
P1020	ST JACK	MSJ-035-52E-B-AG-PBT	1	25045947	

P1029	RETAINER	(RI)	1	27142224
P4901A	PLUG	NPLG-7P135	1	25055151
P4902A	CRIMP AS	CRIMP_PAMC5500	1	20799180UL

ONKYO

ONKYO SOUND & VISION CORPORATION

Technical Support, Service Dept.: 2-1, Nisshin-cho, Neyagawa-shi, OSAKA 572-8540, JAPAN
Tel: 072-831-8023 Fax: 072-831-8163

ONKYO U.S.A. CORPORATION

18 Park Way, Upper Saddle River, N.J. 07458, U.S.A.
Tel: 800-229-1687, 201-785-2600 Fax: 201-785-2650
<http://www.us.onkyo.com/>

ONKYO EUROPE ELECTRONICS GmbH

Liegnitzerstrasse 6, 82194 Groebenzell, GERMANY
Tel: +49-(0)8142 42 08 10 Fax: +49-8142-4401-555
<http://www.eu.onkyo.com/>

ONKYO EUROPE ELECTRONICS GmbH (UK BRANCH)

The Coach House 81A High Street, Marlow, Buckinghamshire, SL7 1AB, UK
Tel: +44-(0)1628-473-350 Fax: +44-(0)1628-401-700

ONKYO CHINA LIMITED

Unit 1033, 10/F, Star House, No 3, Salisbury Road, Tsim Sha Tsui Kowloon, Hong Kong.
Tel: 852-2429-3118 Fax: 852-2428-9039
<http://www.onkyochina.com/>